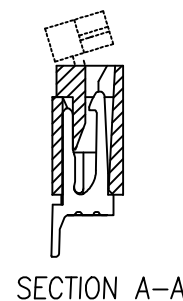
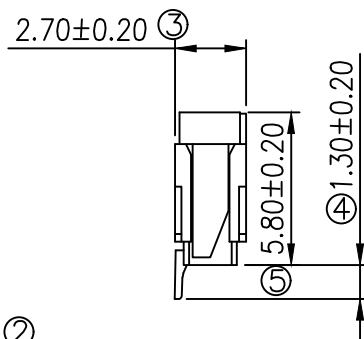
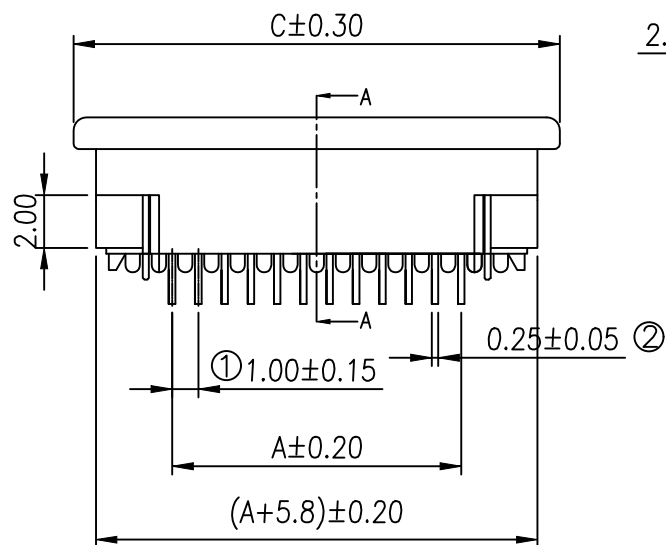
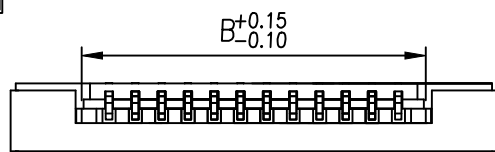


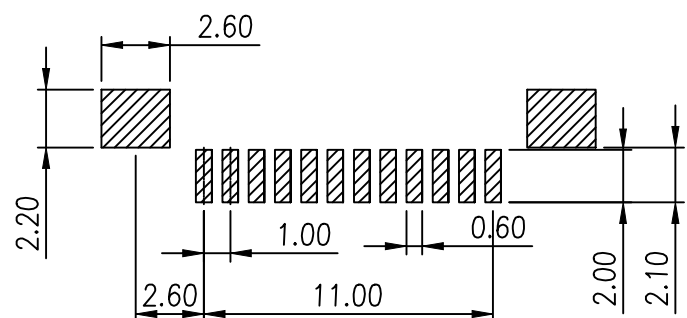
RoHS

REV	DESCRIPTION	DATE

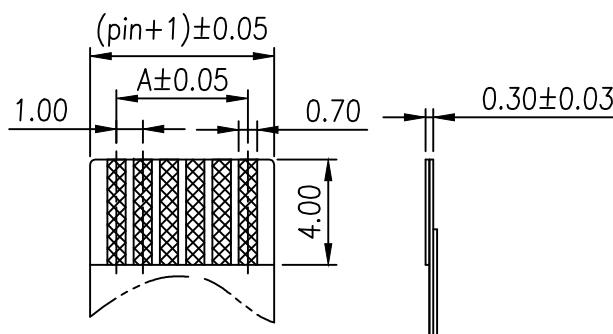


■ NOTE:
 MATERIAL:
 HOUSING: HIGH TEMPERATURE THERMOPLASTIC.
 COVER: HIGH TEMPERATURE THERMOPLASTIC.
 CONTACT: COPPER ALLOY.
 HOLDDOWN: COPPER ALLOY.

■ PART NO.
 CNT-FPC100-XX-TDM-S10-270



RECOMMENDED PCB LAYOUT



FPC/FFC T=0.30±0.03

■ DIMENSIONAL INFORMATION

Pin	Dimension			Pin	Dimension		
	A	B	C		A	B	C
4	3.00	5.10	10.50	23	22.00	24.10	29.50
5	4.00	6.10	11.50	24	23.00	25.10	30.50
6	5.00	7.10	12.50	25	24.00	26.10	31.50
7	6.00	8.10	13.50	26	25.00	27.10	32.50
8	7.00	9.10	14.50	27	26.00	28.10	33.50
9	8.00	10.10	15.50	28	27.00	29.10	34.50
10	9.00	11.10	16.50	29	28.00	30.10	35.50
11	10.00	12.10	17.50	30	29.00	31.10	36.50
12	11.00	13.10	18.50	31	30.00	32.10	37.50
13	12.00	14.10	19.50	32	31.00	33.10	38.50
14	13.00	15.10	20.50	33	32.00	34.10	39.50
15	14.00	16.10	21.50	34	33.00	35.10	40.50
16	15.00	17.10	22.50	35	34.00	36.10	41.50
17	16.00	18.10	23.50	36	35.00	37.10	42.50
18	17.00	19.10	24.50	37	36.00	38.10	43.50
19	18.00	20.10	25.50	38	37.00	39.10	44.50
20	19.00	21.10	26.50	39	38.00	40.10	45.50
21	20.00	22.10	27.50	40	39.00	41.10	46.50
22	21.00	23.10	28.50				

肯耐特电子有限公司				GENERAL TOLERANCE		DRAWN 董道丽		DATE 20191011		DWG. NO.		TITLE	
				X.° ±5°	X. ±0.30	CHECK 王芳芳	DATE 20191011						
REV. 1.0	UNIT mm	SCALE 1:1		.X° ±3°	.X ±0.38	APPROVE 王元中	DATE 20191011	PART. NO. CNT-FPC100-XX-TDM-S10-270		FPC 1.0mm PITCH 单面上接触 SMT 90°			
				.XX° ±2°	.XX ±0.25								
				.XXX° ±1°	.XXX ±0.15								