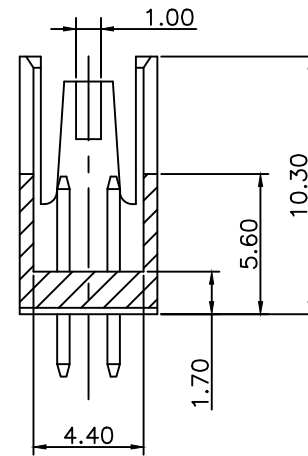
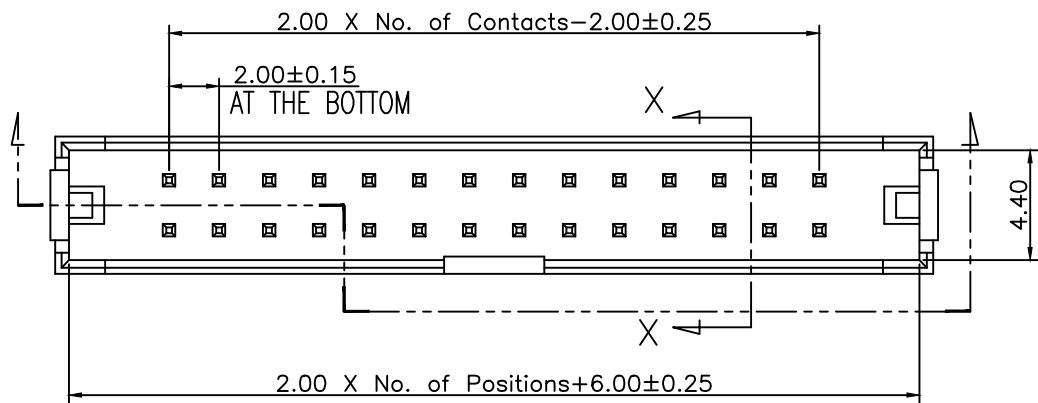


REV	DESCRIPTION	DATE



View X-X

## Specifications

Current Rating: 2Amp

Insulation Resistance: 1000MΩ Min.

Dielectric Withstanding Voltage: 500VAC

Contact Resistance: 20mΩ Max.

Operating Temperature: -40°C to +105°C

Materials

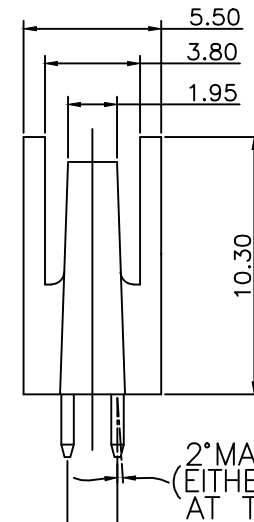
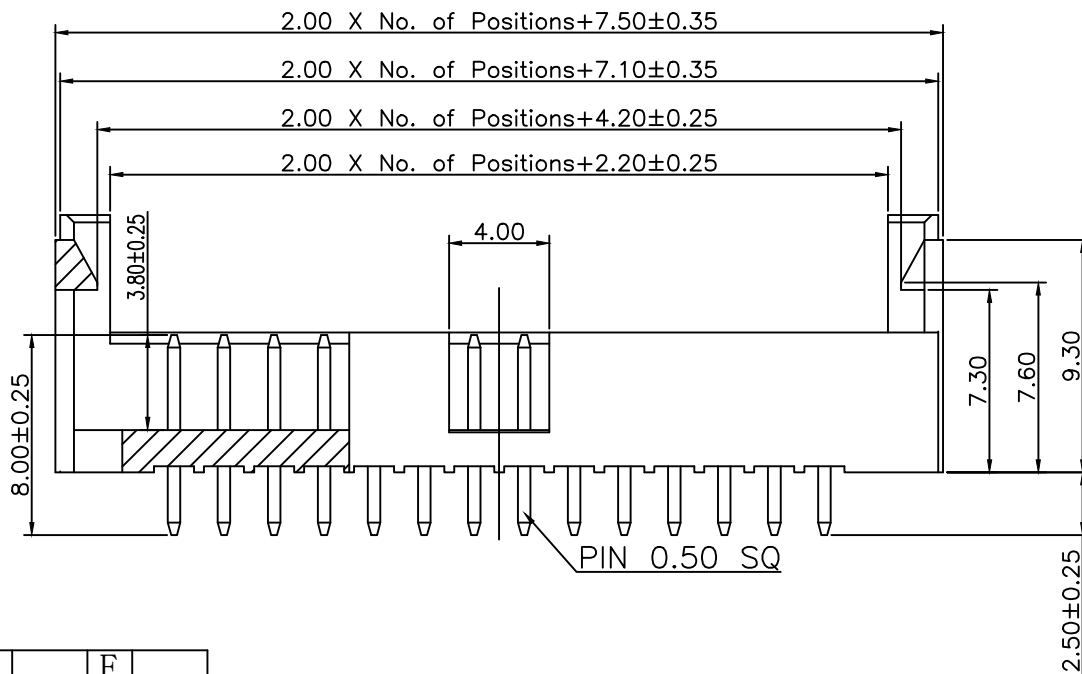
Contact Material: Brass

Insulator Material: High Temperature

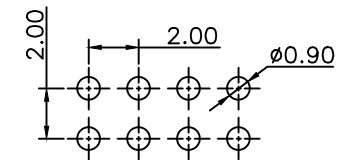
Thermoplastic, UL 94V-0 Nylon 6T

(Halogen Free) or the equivalent material

All materials must meet Greenconn requirement for HSF.



Recommended P.C.Board  
Layout  
(Tolerance: ±0.05)



A	E
B	F
H	W

CNT 肯耐特电子有限公司

REV.	UNIT	SCALE
A	mm	3: 1

## GENERAL TOLERANCE

X. °	±5°	.X°	±
X.	±5°	.X	±0.25
XX.	±5°	.XX	±0.25
XXX.	±5°	.XXX	±0.25

DRAWN

CHECK

APPROVE

DATE

20140314

DATE

20140314

DATE

20140314

DWG. NO.

PART. NO.

CNT-B200-2XX-GS-1030/2.5

TITLE

2.00 BOX HEADER  
DUAL ROWS DIP TYPE  
CONNECTOR