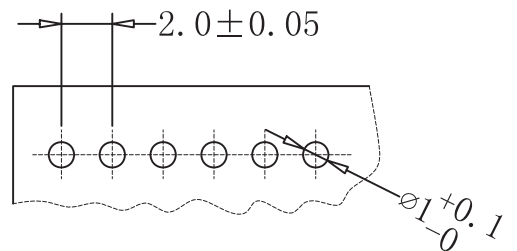
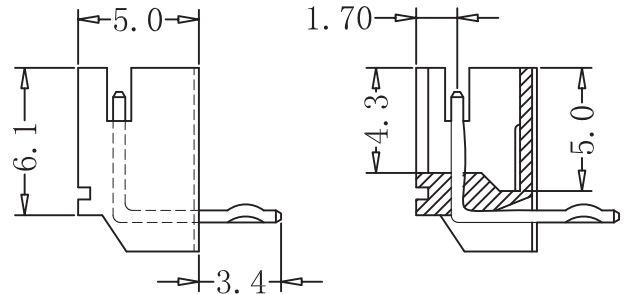
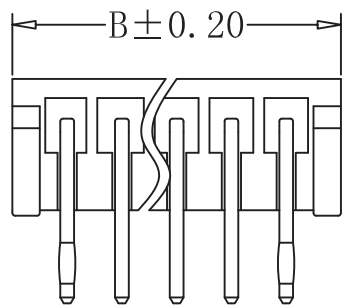
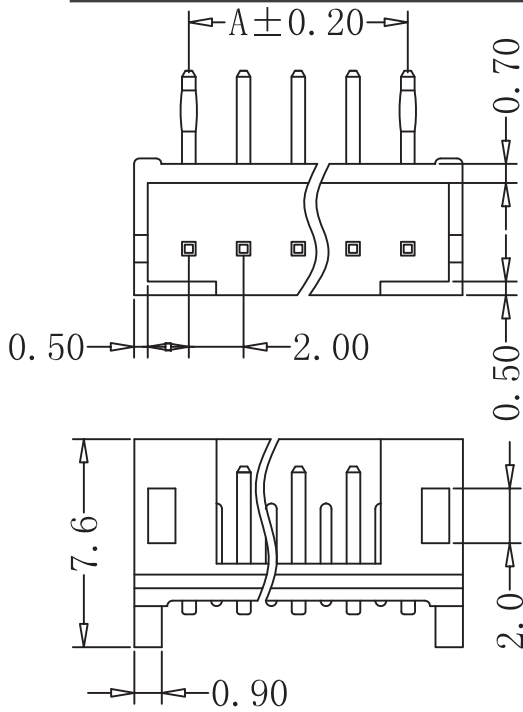
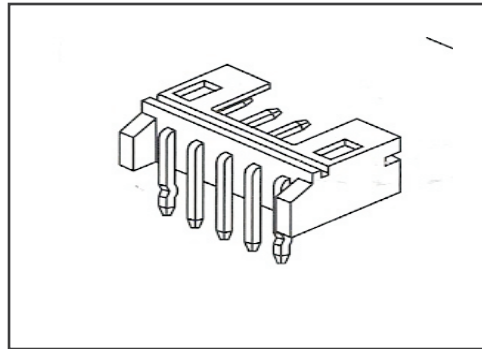


# Pitch:2.00mm (0.079") Wire to Board Connector

## Single Row Right Angle Dip Type



### SPECIFICATIONS

Voltage rating: 250V AC,DC

Current rating: 2A, AC, DC

Withstanding Voltage: 800V AC/minute

Insulation resistance: 1000M $\Omega$ min

Temperature range: -25°C- +85°C

Applicable PC board thickness: 0.031" -0.063"  
(0.8mm-1.6mm)

Contact resistance: Initial Valce/10m $\Omega$  max

After environmental

Texting/20m $\Omega$

Material: Nylon 66 , UL 94V-2

Poles	Part No.	Dimension (mm)		Poles	Part No.	Dimension (mm)	
		A	B			A	B
2	CNT-W200-1*2-TD	2.00	6.00	10	CNT-W200-1*10-TD	18.00	22.00
3	CNT-W200-1*3-TD	4.00	8.00	11	CNT-W200-1*11-TD	20.00	24.00
4	CNT-W200-1*4-TD	6.00	10.00	12	CNT-W200-1*12-TD	22.00	26.00
5	CNT-W200-1*5-TD	8.00	12.00	13	CNT-W200-1*13-TD	24.00	28.00
6	CNT-W200-1*6-TD	10.00	14.00	14	CNT-W200-1*14-TD	26.00	30.00
7	CNT-W200-1*7-TD	12.00	16.00	15	CNT-W200-1*15-TD	28.00	32.00
8	CNT-W200-1*8-TD	14.00	18.00	16	CNT-W200-1*16-TD	30.00	34.00
9	CNT-W200-1*9-TD	16.00	20.00				