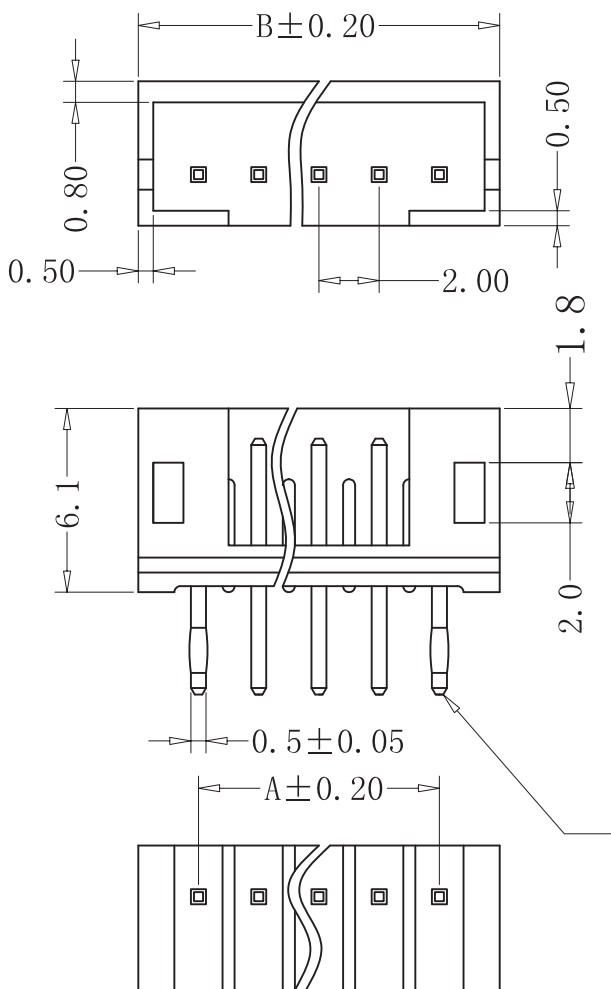
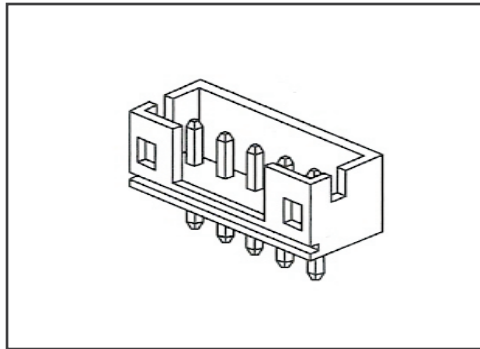


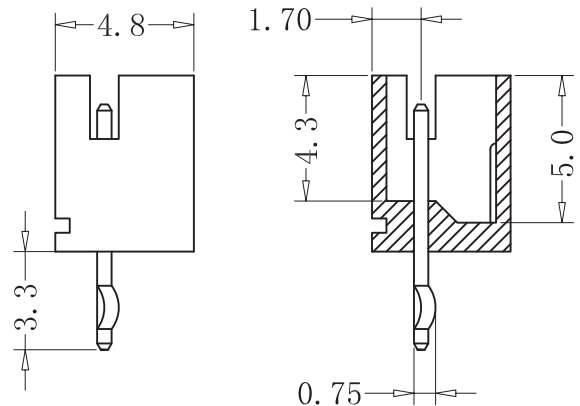
# Pitch:2.00mm (0.079") Wire to Board Conenctor Single Row Straight Dip Type

CNT



## SPECIFICATIONS

Voltage rating: 250V AC,DC  
 Current rating: 2A, AC, DC  
 Withstanding Voltage: 800V AC/minute  
 Insulation resistance: 1000M $\Omega$ min  
 Temperature range: -25°C TO +85°C  
 Applicable PC board thickness: 0.031" -0.063"  
 (0.8mm-1.6mm)  
 Contact resistance: Initial Value/10m $\Omega$  max  
 After environmental  
 Texting/20m $\Omega$   
 Material: Nylon 66, UL94V-0  
 Brass Tin Plated



Poles	Part No.	Dimension (mm)	
		A	B
2	CNT-W200-1*2-TS	2.00	6.00
3	CNT-W200-1*3-TS	4.00	8.00
4	CNT-W200-1*4-TS	6.00	10.00
5	CNT-W200-1*5-TS	8.00	12.00
6	CNT-W200-1*6-TS	10.00	14.00
7	CNT-W200-1*7-TS	12.00	16.00
8	CNT-W200-1*8-TS	14.00	18.00
9	CNT-W200-1*9-TS	16.00	20.00
10	CNT-W200-1*10-TS	18.00	22.00
11	CNT-W200-1*11-TS	20.00	24.00
12	CNT-W200-1*12-TS	22.00	26.00
13	CNT-W200-1*13-TS	24.00	28.00
14	CNT-W200-1*14-TS	26.00	30.00
15	CNT-W200-1*15-TS	28.00	32.00
16	CNT-W200-1*16-TS	30.00	34.00