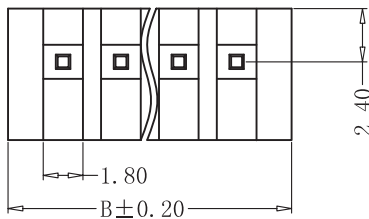
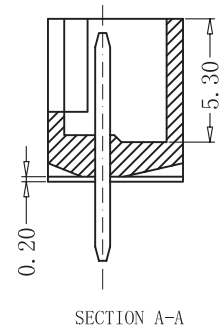
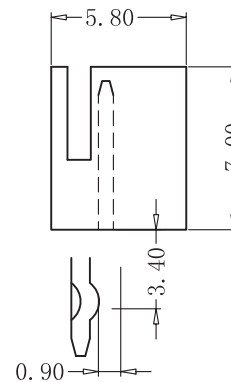
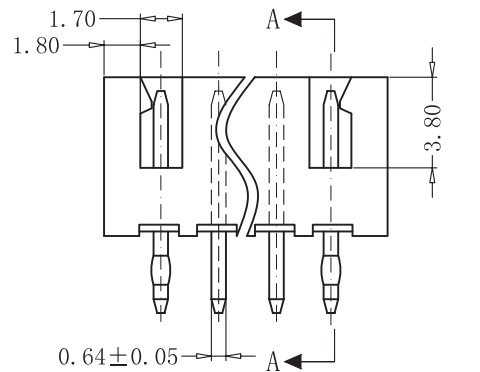
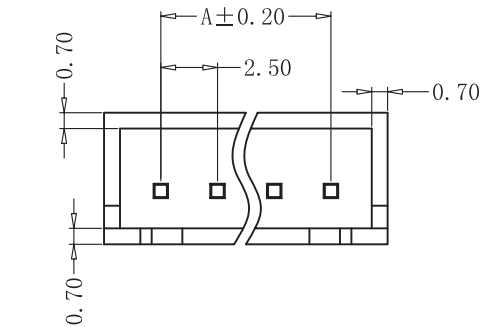
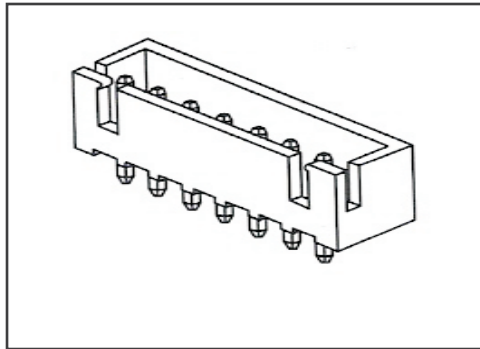


Pitch:2.50mm (0.098") Wire to Board Connector Single Row Straight Dip Type



SPECIFICATIONS

Voltage rating: 250V AC,DC

Current rating: 3A, AC, DC

Withstanding Voltage: 1000V AC/minute

Insulation resistance: 1000MΩmin

Temperature range: -25°C - +85°C

(including temperature rise in applying electrical current)

Applicable PC board thickness: 0.063" (1.6mm)

Contact resistance: Initial Value/10mΩ max

After environmental Testing/20mΩ

Material: Nylon 66, UL94V-2

Poles	Part No.	Dimension (mm)		Poles	Part No.	Dimension (mm)	
		A	B			A	B
2	CNT-W250-1*2-TS	2.50	7.50	12	CNT-W250-1*12-TS	27.50	32.50
3	CNT-W250-1*3-TS	5.00	10.00	13	CNT-W250-1*13-TS	30.00	35.00
4	CNT-W250-1*4-TS	7.50	12.50	14	CNT-W250-1*14-TS	32.50	37.50
5	CNT-W250-1*5-TS	10.00	15.00	15	CNT-W250-1*15-TS	35.00	40.00
6	CNT-W250-1*6-TS	12.50	17.50	16	CNT-W250-1*16-TS	37.50	42.50
7	CNT-W250-1*7-TS	15.00	20.00	17	CNT-W250-1*17-TS	40.00	45.00
8	CNT-W250-1*8-TS	17.50	22.50	18	CNT-W250-1*18-TS	42.50	47.50
9	CNT-W250-1*9-TS	20.00	25.00	19	CNT-W250-1*19-TS	45.00	50.00
10	CNT-W250-1*10-TS	22.50	27.50	20	CNT-W250-1*20-TS	47.50	52.50
11	CNT-W250-1*11-TS	25.00	30.00				