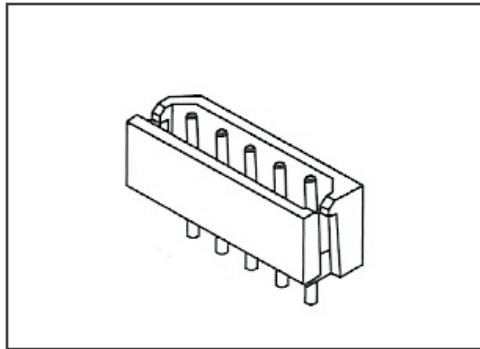


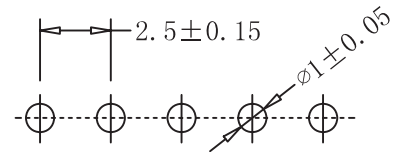
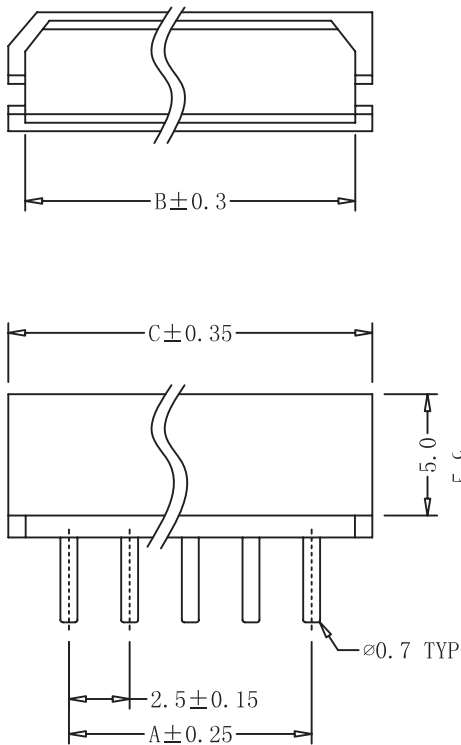
Pitch:2.50mm (0.098") Wire to Board Connector Single Row Straight Dip Type



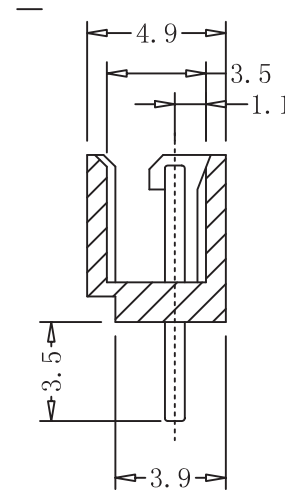
SPECIFICATIONS

Voltage rating:250V AC, DC
Current rating 3A, AC, DC
Withstanding Voltage:1,000V AC/minute
Insulation resistance:1,000MΩ min

Contact Resistance: 20mΩ max
Material:Contact:Brass, Tin Plated
Base:Nylon 66 UL94-V0



Recommad PCB Layout



Poles	Part No.	Dimension (mm)			Poles	Part No.	Dimension (mm)		
		A	B	C			A	B	C
2	CNT-W250-1*2-TS-590	2.00	6.00	7.50	12	CNT-W250-1*12-TS-590	27.50	31.00	32.50
3	CNT-W250-1*3-TS-590	5.00	8.50	10.00	13	CNT-W250-1*13-TS-590	30.00	33.50	35.00
4	CNT-W250-1*4-TS-590	7.50	11.00	12.50	14	CNT-W250-1*14-TS-590	23.50	36.00	37.50
5	CNT-W250-1*5-TS-590	10.00	13.50	15.00	15	CNT-W250-1*15-TS-590	35.00	38.50	40.00
6	CNT-W250-1*6-TS-590	12.50	16.00	17.50	16	CNT-W250-1*16-TS-590	37.50	41.00	42.50
7	CNT-W250-1*7-TS-590	15.00	18.50	20.00	17	CNT-W250-1*17-TS-590	40.00	43.50	45.00
8	CNT-W250-1*8-TS-590	17.50	21.00	22.50	18	CNT-W250-1*18-TS-590	42.50	46.00	47.50
9	CNT-W250-1*9-TS-590	20.00	23.50	25.00	19	CNT-W250-1*19-TS-590	45.00	48.50	50.00
10	CNT-W250-1*10-TS-590	22.50	26.00	27.50	20	CNT-W250-1*20-TS-590	47.50	51.00	52.50
11	CNT-W250-1*11-TS-590	25.00	28.50	30.00					