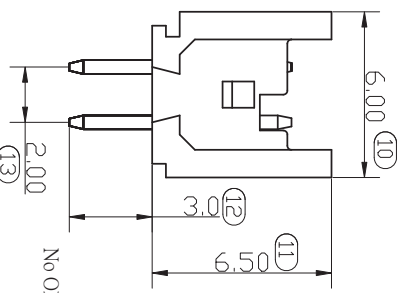
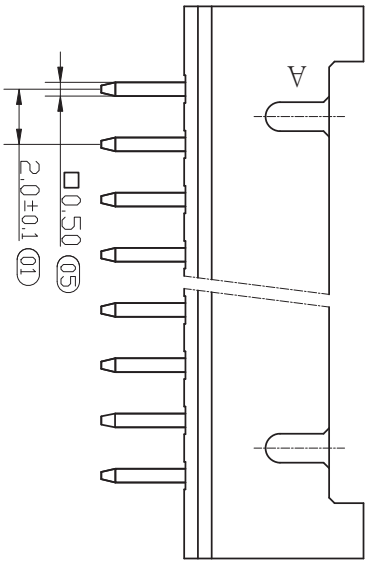
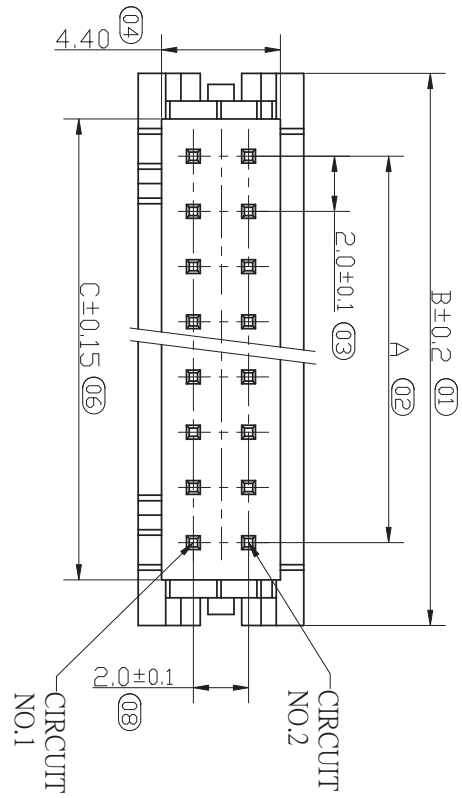
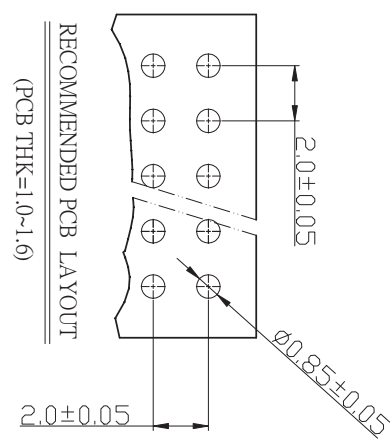


ROHS

CUSTOMER INFORMATION.

PART NO.	DRAWING NO.	REV.
NA	NA	NA

- NOTE:
1. MATERIAL: NYLON 6T UL 94V-0
 2. CONTACT: BRASS
 3. FINISH: TIN-PLATED.
 4. INSULATION RESISTANCE : 1000M ohm/MIN
 5. WITHSTAND VOLAGE : 800V AC/MINUTE.
 6. CURRENT RATING : 2A AC/DC (AWG #24)
 7. VOLTAGE RATING: 250V AC/DC
 8. OPERATING TEMPERATURE : -25°C to +85°C
 9. BILL OF PART NO.



2008WS-XX-XX-HK-HF

COLOR: A: NATURAL

FINISH : B : 80 μ" MIN BRIGHT TIN PLATED
30 μ" MIN NICKL UNDERPLATED OVER ALL

NO.	PART NO.	COLOR	LOGO
1	2008WS-XX-BA-HK-HF	NATURAL	
40.7	44.0	38.0±0.2	40
38.7	42.0	36.0±0.2	38
36.7	40.0	34.0±0.2	36
34.7	38.0	32.0±0.2	34
32.7	36.0	30.0±0.2	32
30.7	34.0	28.0±0.2	30
28.7	32.0	26.0±0.2	28
26.7	30.0	24.0±0.2	26
24.7	28.0	22.0±0.2	24
22.7	26.0	20.0±0.15	22
20.7	24.0	18.0±0.15	20
18.7	22.0	16.0±0.15	18
16.7	20.0	14.0±0.15	16
14.7	18.0	12.0±0.1	14
12.7	16.0	10.0±0.1	12
10.7	14.0	8.0±0.1	10
8.7	12.0	6.0±0.1	08
6.7	10.0	4.0±0.1	06
C	B	A	POS

C N T 肯耐特电子有限公司

TITLE: 2.0mm PITCH WAFER(180°)

TOLERANCE	X.XXX ±0.10	UNIT: mm
X.X ±0.30	Angular ±2°	
X.XX ±0.20		
PART NO.	2008WS-XX-BA-HK-HF	
DRAWING NO.	C-2008WS-XX-BA-HK-HF	

DWG TYPE.	APPROVED BY	CHECKED BY	DRAWN BY	PAGE	REV.
Customer Drawing	AUGUS	SUN	WINNER	1 OF 2	A
	2014.04.29	2014.04.29	2014.04.29	SCALE	
				5 : 1	

REV.	ECN NO	REVISION RECORD	DRAW	DATE
A		NEW RELEASE	Winner	2014.04.29