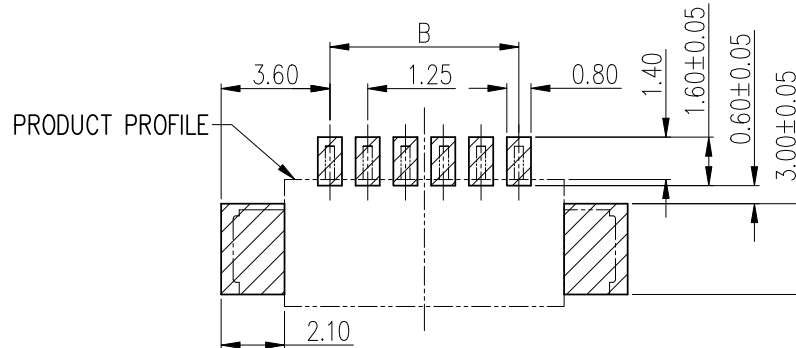


RoHS



CUST INFORMATION.

PART NO. NA	DRAWING NO. NA	REV. NA
----------------	-------------------	------------



P.C.BOARD LAYOUT
TOLERANCES: ±0.05

NOTE:

1.MATERIAL:

HOUSING: THERMOPLASTIC, UL94 V-0, COLOR: NATURAL
TERMINAL AND HOLD DOWN: COPPER ALLOY.

2.CONTACT FINISH:

UNDERPLATING NICKEL OVERALL, DETAIL SEE NOTE 10.

3.HOLD DOWN FINISH: MATTE TIN PLATING OVER NICKEL.

4.ORDER INFORMATION:

CNT1253WE X 0 X 3 - XX HF

PACKAGING: NO. OF POS

1: BAG ROW: 02~15

2: TAPE REEL

PLATING OPTIONS:

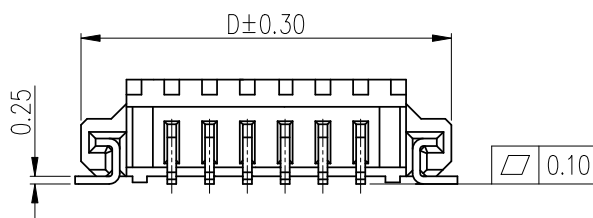
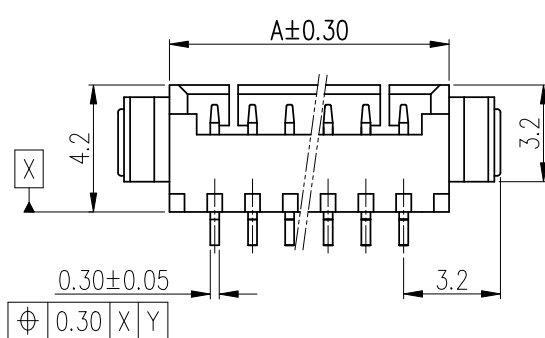
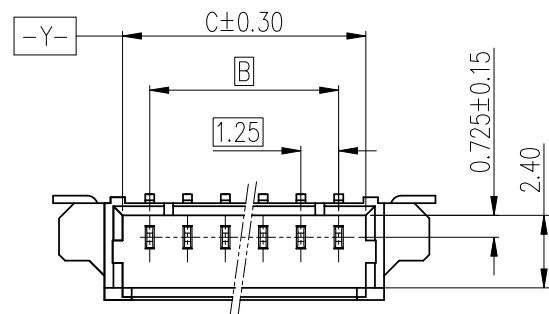
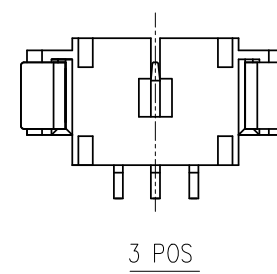
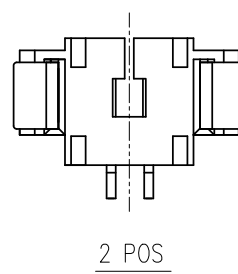
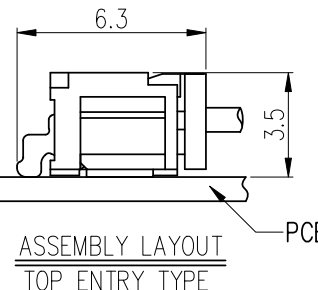
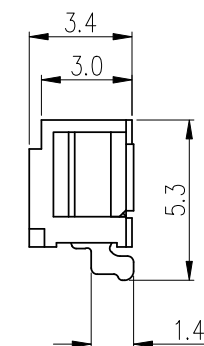
0: MATTE TIN OVERALL.

1: GOLD FLASH ON CONTACT AREA

MATTE TIN ON SOLDER AREA.

11.DIMENSIONAL & ORDERING INFORMATION:

PART NO.	POS	A	B	C	D
1253WEXXX3-02HF	2	4.25	3.05	7.25	
1253WEXXX3-03HF	3	5.50	2.50	4.30	8.50
1253WEXXX3-04HF	4	6.75	3.75	5.55	9.75
1253WEXXX3-05HF	5	8.00	5.00	6.80	11.00
1253WEXXX3-06HF	6	9.25	6.25	8.05	12.25
1253WEXXX3-07HF	7	10.50	7.50	9.30	13.50
1253WEXXX3-08HF	8	11.75	8.75	10.55	14.75
1253WEXXX3-09HF	9	13.00	10.00	11.80	16.00
1253WEXXX3-10HF	10	14.25	11.25	13.05	17.25
1253WEXXX3-11HF	11	15.50	12.50	14.30	18.50
1253WEXXX3-12HF	12	16.75	13.75	15.55	19.75
1253WEXXX3-13HF	13	18.00	15.00	16.80	21.00
1253WEXXX3-14HF	14	19.25	16.25	18.05	22.25
1253WEXXX3-15HF	15	20.50	17.50	19.30	23.50



TOLERANCE	
X.	X.XXX ±0.10
X.X ±0.30	
X.XX ±0.20	Angular ±2°
	UNIT: mm

PART NO.
CNT1253WE2003-XX HF

DRAWING NO.

APPROVED BY
Angus.Chen
2011.12.13

CHECKED BY
Sun.lee
2011.12.13

DRAWN BY
Rock
2011.12.13

PAGE 1 OF 1
SCALE 5 : 1
REV. A

CNT 肯耐特电子有限公司

TITLE. 1.25mm WAFER (RIGHT ANGLE)
SMT TYPE

NEW EDITION	Rock	2011.12.13
REV.	ECN NO	REVISION RECORD
1	1	2

DWG TYPE.
Customer Drawing