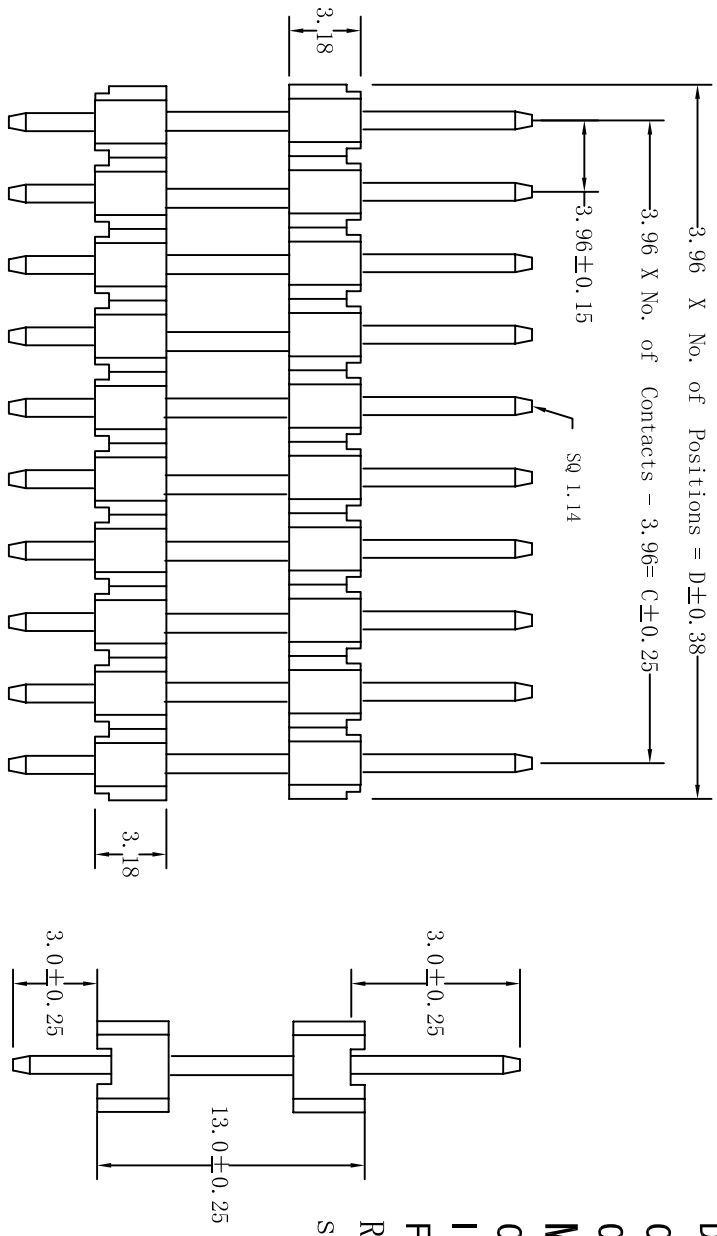
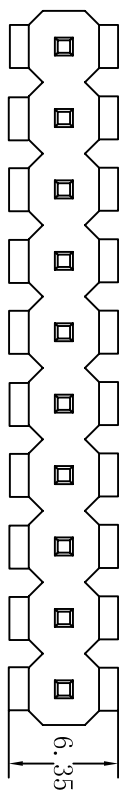


REV	DESCRIPTION	DATE



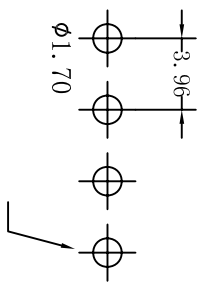
### SPECIFICATIONS

Current Rating: 7.9 Amps  
 Insulator resistance: 1000 Megohms Min.  
 Dielectric withstanding: AC/DC 1500 V  
 Contact Resistance: 20m Ω Max  
 Operating Temperature: -40° C - +105° C

### MATERIALS

Contact Material: Brass  
 Insulator Material: LCP UL94V-0  
 Finish: Gold / Tin Plated over nickel  
 Resistance to soldering heat: 260° C ± 5° C  
 5 ± 0.5sec

**Recommended P. C. Board Hole Layout**



A	E
B	F
H	W

**CNT** 肯耐特电子有限公司

REV.	UNIT	SCALE	GENERAL	TOLERANCE	DRAWN	DATE	DWG. NO.	TITLE
1.0	mm	1:1	X°	±5°	Ares	20130701	CNT-M396-1*XX-TS-3/13/3-1	3.96mm Pin Header Board Spacer Single Row Straight
			XX	±5°	CHECK	DATE		
			XXX	±5°	APPROVE	DATE		