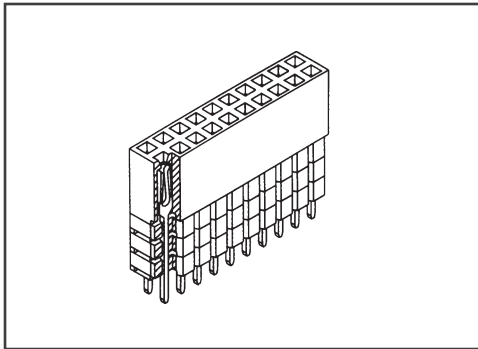


Pitch:2.54mm (0.1")

Dual Row Female Header Dip Type

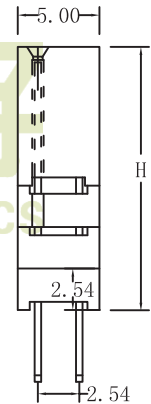
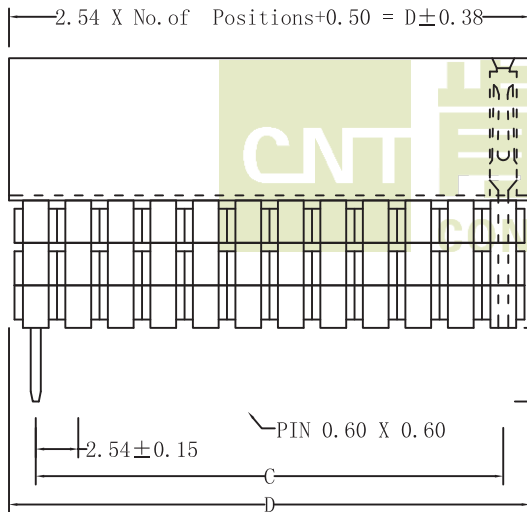
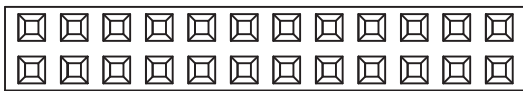


SPECIFICATIONS

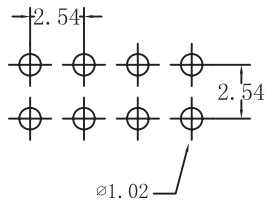
Current Rating: 3 Amps
 Insulator resistance:1000 Megohms Min.
 Dielectric withstanding:AC 500 V
 Contact Resistance:20 Megohms Max
 Operating Temperature:-40° C - +105° C

MATERIALS

Contact Material:Copper Alloy
 Insulator Material:30% Glass filled
 P. B. T UL94V-0
 Finish:Gold /Tin Plated over nickel



Recommended P. C. Board Hole Layout



No. of Pins Per Row		02~40
Dimension		
C	2.54*No.of Contacts-2.54	± 0.25
D	2.54*No.of Contacts	± 0.38

Ordering Information

F	254	2	*	XX	G	S	H
F: Female	Pitch: 2.54mm	2: Dual Row		No. of pins per Row	G: GoldPlated T: Tin Plated	S: Straight	Plastic Height 11.04mm 13.58mm 16.12mm 18.66mm 21.20mm 23.74mm 26.28mm