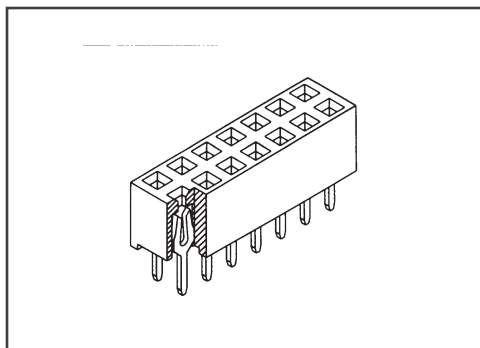


Pitch:2.54mm (0.1")

Dual Row Female Header Dip Type

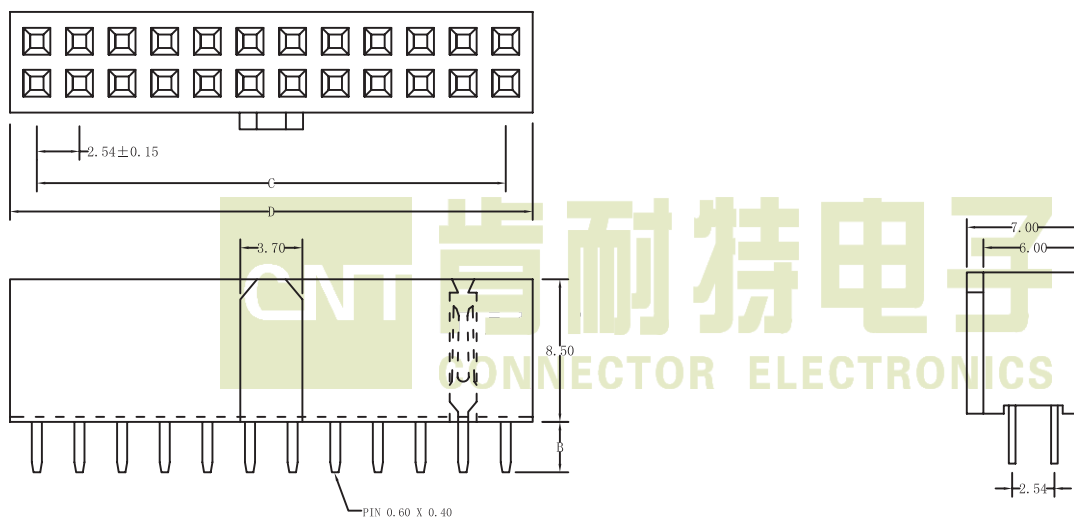


SPECIFICATIONS

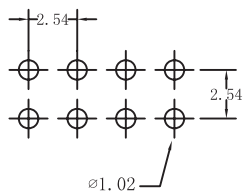
Current Rating: 3 Amps
 Insulator resistance:1000 Megohms Min.
 Dielectric withstanding:AC 500 V
 Contact Resistance:20 Megohms Max
 Operating Temperature:-40° C - +105° C

MATERIALS

Contact Material:Copper Alloy
 Insulator Material:30% Glass filled
 P.B.T UL94V-0
 Finish:Gold /Tin Plated over nickel



Recommended P. C. Board Hole Layout



No. of Pins Per Row		04~36
Dimension		
C	$2.54 * \text{No. of Contacts} - 2.54$	± 0.25
D	$2.54 * \text{No. of Contacts} + 0.5$	± 0.38

Ordering Information

F 254 2 * XX G S 3.7/8.5
 F: Female Pitch: 2.54mm 2: Dual Row *: No. of pins per Row G: GoldPlated S: Straight 3.7/8.5: Plastic Shape
 T: Tin Plated