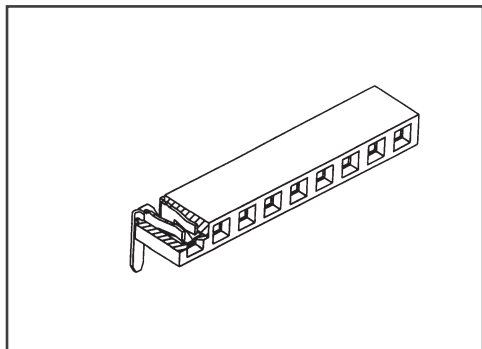


Pitch:2.54mm (0.1")

Single Row Female Header Right Angle Dip Type

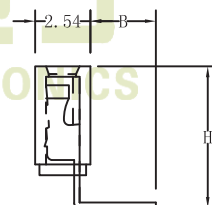
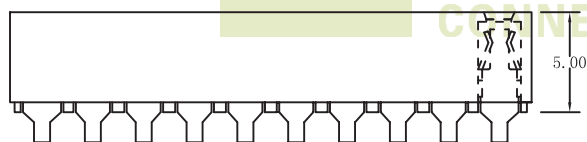
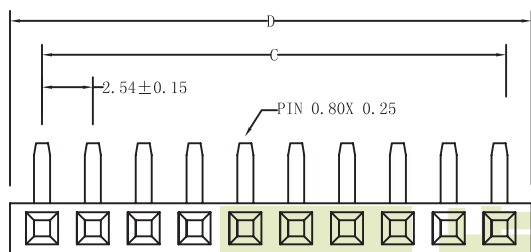


SPECIFICATIONS

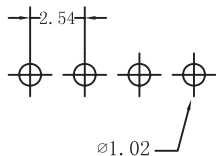
Current Rating: 3 Amps
 Insulator resistance:1000 Megohms Min.
 Dielectric withstanding:AC 500 V
 Contact Resistance:20 Megohms Max
 Operating Temperature:-40° C - +105° C

MATERIALS

Contact Material:Copper Alloy
 Insulator Material:30% Glass filled
 P. B. T UL94V-0
 Finish:Gold /Tin Plated over nickel



Recommended P. C. Board Hole Layout



No. of Pins Per Row		02~40
Dimension		
C	2.54*No.of Contacts-2.54	±0.25
D	2.54*No.of Contacts+0.5	±0.38

Ordering Information

F **254** **1** ***** **XX** **G** **D** **500** **H/B**
 F: Pitch: l: No. of pins G: D: Custom Length Available
 Female 2.54mm Single Row per Row GoldPlated RightAngle

T:
Tin Plated