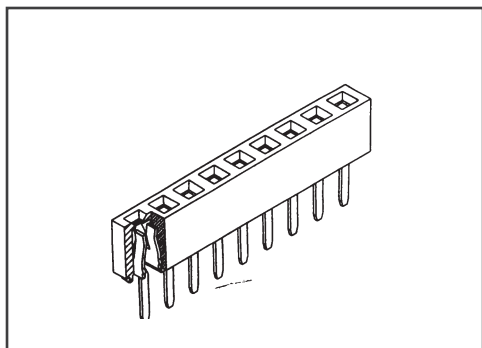


# Pitch:2.54mm (0.1")

## Single Row Female Header Straight Dip Type

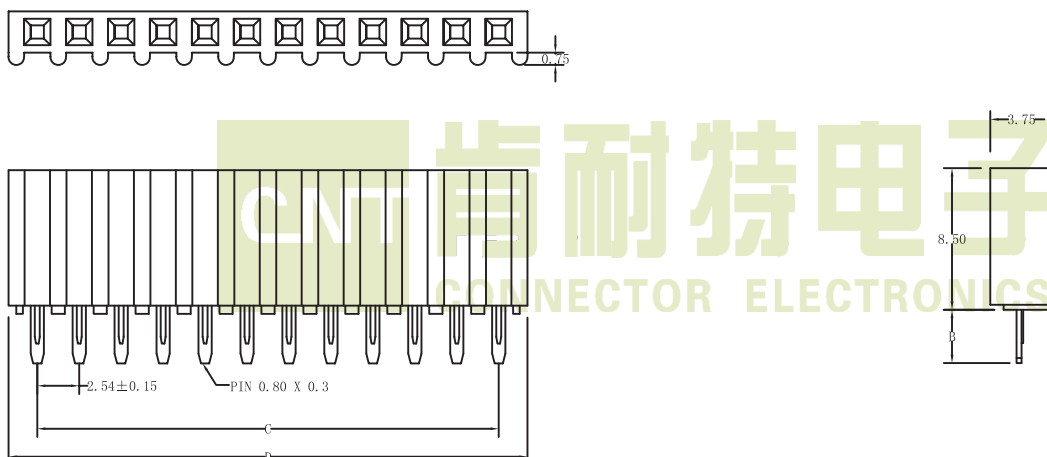


### SPECIFICATIONS

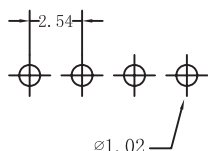
Current Rating: 3 Amps  
 Insulator resistance:1000 Megohms Min.  
 Dielectric withstanding:AC 500 V  
 Contact Resistance:20 Megohms Max  
 Operating Temperature:-40° C - +105° C

### MATERIALS

Contact Material:Copper Alloy  
 Insulator Material:30% Glass filled  
 P. B. T UL94V-0  
 Finish:Gold /Tin Plated over nickel



### Recommended P. C. Board Hole Layout



No. of Pins Per Row		02~40
Dimension		
C	2.54*No.of Contacts-2.54	±0.25
D	2.54*No.of Contacts+0.8	±0.38

### Ordering Information

**F** **254** **1** **\*** **XX** **G** **S** **850** **B**  
 F: Female Pitch: 2.54mm l: 1 Single Row No. of pins per Row XX  
 G: GoldPlated S: Straight 850: Plastic Height B: 3.5mm Custom Length Available  
 T: Tin Plated