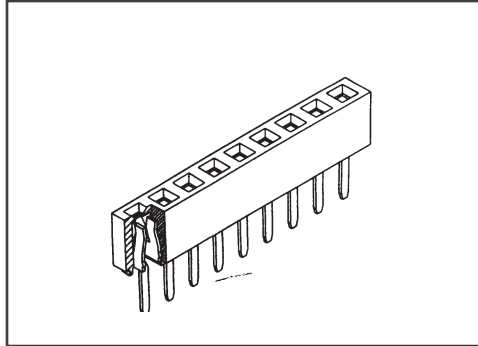


Pitch:2.54mm (0.1")

Single Row Female Header Straight Dip Type

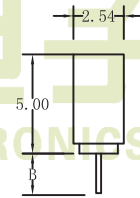
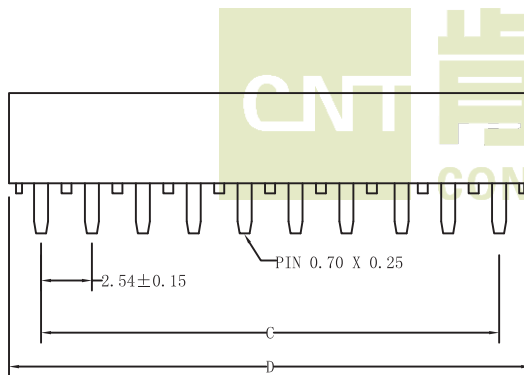


SPECIFICATIONS

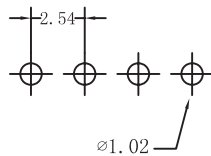
Current Rating: 3 Amps
 Insulator resistance:1000 Megohms Min.
 Dielectric withstanding:AC 500 V
 Contact Resistance:20 Megohms Max
 Operating Temperature:-40° C - +105° C

MATERIALS

Contact Material: Copper Alloy
 Insulator Material:30% Glass filled
 P. B. T UL94V-0
 Finish:Gold /Tin Plated over nickel



Recommended P. C. Board Hole Layout



No. of Pins Per Row		02~40
Dimension		
C	2.54*No.of Contacts-2.54	± 0.25
D	2.54*No.of Contacts+0.5	± 0.38

Ordering Information

F 254 1 * XX G S 500 B
 F: Female Pitch: 2.54mm l: 1 Single Row No. of pins per Row XX
 G: GoldPlated S: Straight 500: Plastic Height B: 3.0mm Custom Length Available