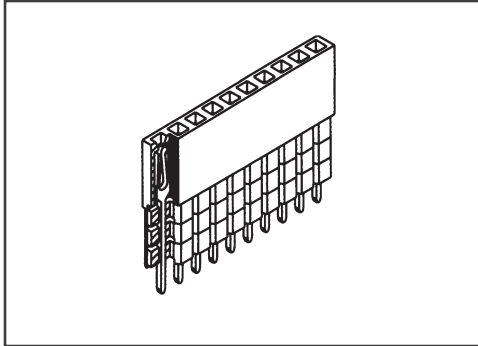


Pitch:2.54mm (0.1")

Single Row Female Header Dip Type

CNT

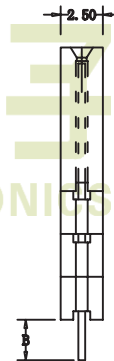
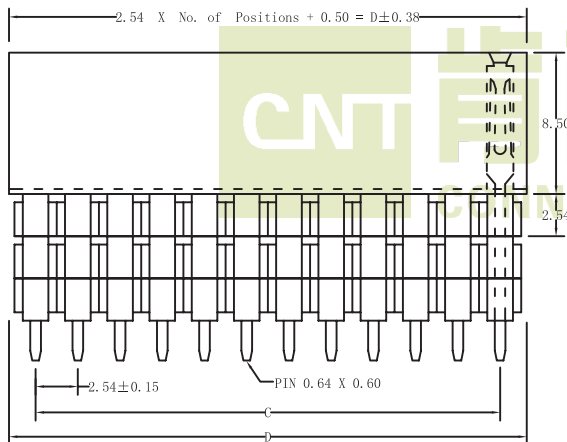


SPECIFICATIONS

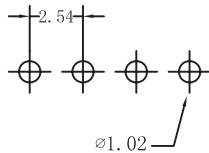
Current Rating: 3 Amps
 Insulator resistance:1000 Megohms Min.
 Dielectric withstanding:AC 500 V
 Contact Resistance:20 Megohms Max
 Operating Temperature:-40° C - +105° C

MATERIALS

Contact Material:Copper Alloy
 Insulator Material:30% Glass filled
 P. B. T UL94V-0
 Finish:Gold /Tin Plated over nickel



Recommended P. C. Board Hole Layout



No. of Pins Per Row		02~40
Dimension		
C	2.54*No.of Contacts-2.54	±0.25
D	2.54*No.of Contacts	±0.38

Ordering Information

F 254 1 * XX **G** **S** **H** **B**
 F: Female Pitch: 1: 2.54mm Single Row No. of pins per Row
 G: GoldPlated S: Straight Plastic Height Custom Length Available
 T: Tin Plated
 H: 11.04mm
 13.58mm
 16.12mm
 18.66mm
 21.20mm