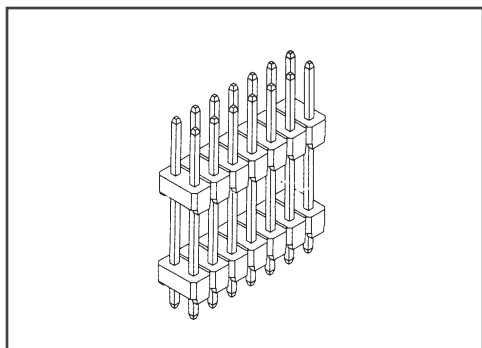


Pitch:2.54mm (0.1")

Dual Row Pin Header Straight Dip Type

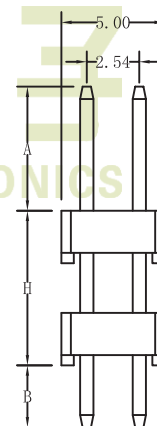
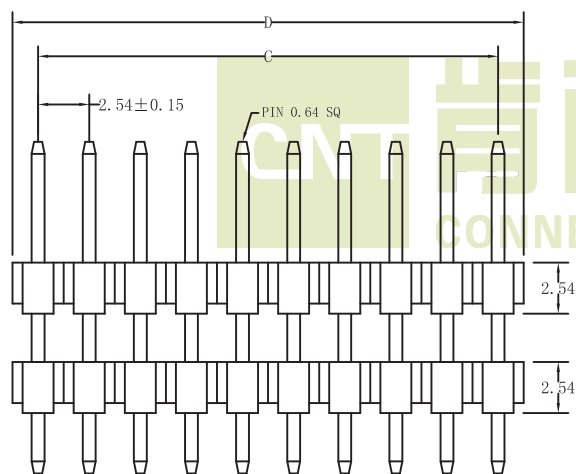
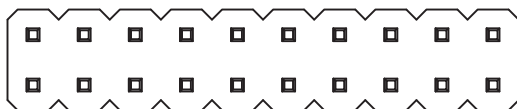


SPECIFICATIONS

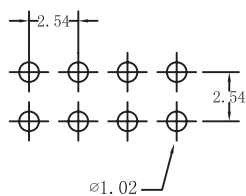
Current Rating: 3 Amps
 Insulator resistance:1000 Megohms Min.
 Dielectric withstanding:AC 500 V
 Contact Resistance:20 Megohms Max
 Operating Temperature:-40° C - +105° C

MATERIALS

Contact Material:Brass
 Insulator Material:30% Glass filled
 P. B. T UL94V-0
 Finish:Gold /Tin Plated over nickel



Recommended P. C. Board
Hole Layout



No. of Pins Per Row		02~40
Dimension		
C	2.54*No.of Contacts-2.54	±0.25
D	2.54*No.of Contacts	±0.38

Ordering Information

M 254 2 * XX G S A/H/B
 M: Pitch: 2: No. of pins per Row
 Male 2.54mm Dual Row
 G: GoldPlated
 S: Straight
 A/H/B: Custom Length Available
 T: Tin Plated