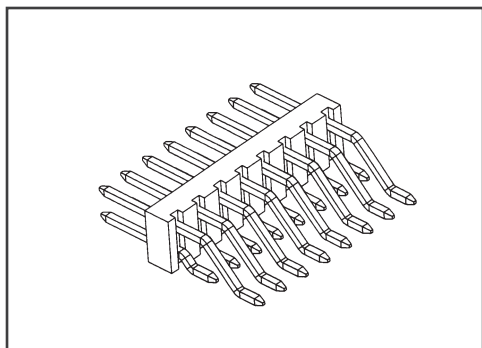


Pitch:2.54mm (0.1")

Dual Row Pin Header Right Angle S.M.T Type

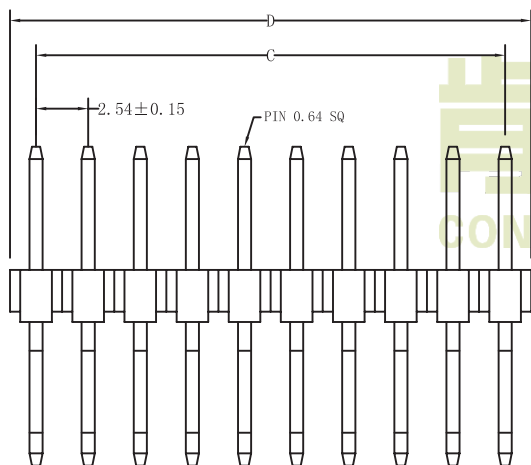
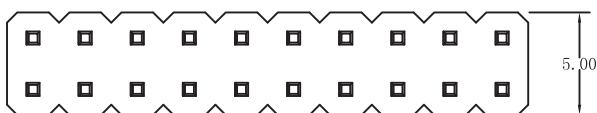


SPECIFICATIONS

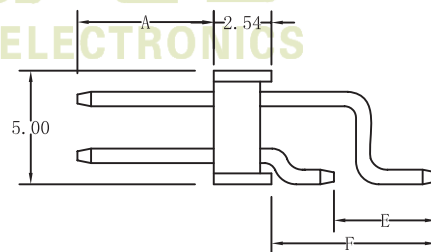
Current Rating: 3 Amps
 Insulator resistance:1000 Megohms Min.
 Dielectric withstanding:AC 500 V
 Contact Resistance:20 Megohms Max
 Operating Temperature:-40° C - +105° C

MATERIALS

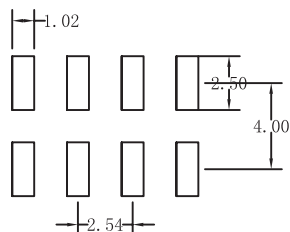
Contact Material:Brass
 Insulator Material:30% Glass filled
 P. B. T UL94V-0
 Finish:Gold /Tin Plated over nickel



肯耐特电子
 CONNECTOR ELECTRONICS



Recommended P. C. Board Hole Layout



No. of Pins Per Row		02~40
Dimension		
C	2.54*No.of Contacts-2.54	±0.25
D	2.54*No.of Contacts	±0.38

Ordering Information

M 254 2 * XX G DM A/E/F
 M: Pitch: G: DM A/E/F
 Male 2.54mm 2: No. of pins per Row GoldPlated Right Angle Custom Length
 Dual Row Tin Plated S.M.T Available