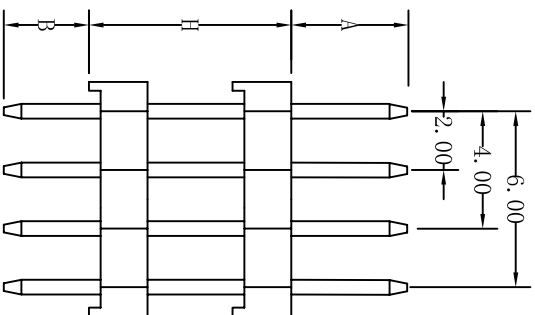
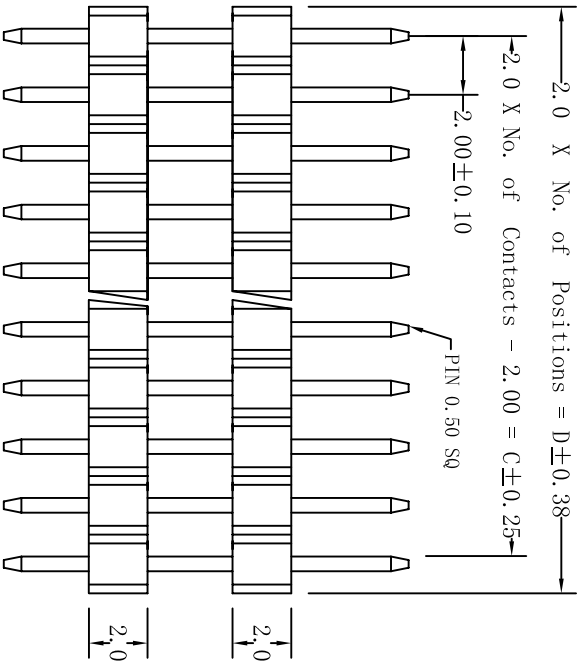
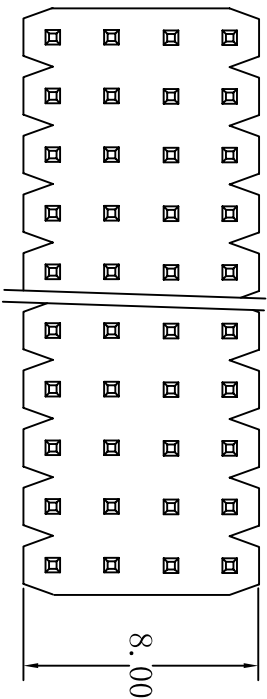


REV	DESCRIPTION	DATE



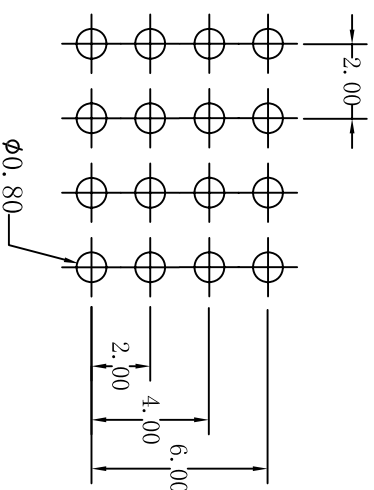
### SPECIFICATIONS

Current Rating: 2.0 Amps  
 Insulator resistance: 1000 Megohms Min.  
 Dielectric withstanding: AC 500 V  
 Operating Temperature: -40° C - +105° C

### MATERIALS

Contact Material: Brass  
 Insulator Material: NYLON 6T  
 Finish: Gold Plated  
 Soldering heat: 260° C ± 5° C 5 ± 0.5sec

Recommended P. C. Board  
 Hole Layout



A	E
B	F
H	W

**CNT** 肯耐特电子有限公司

REV.	UNIT	SCALE	GENERAL TOLERANCE		
A	mm	1:1	X.° ± 5°	.X.° ±	
			X. ± 5°	.X ± 0.30	
			XX. ± 5°	.XX ± 0.25	
			XXX. ± 5°	.XXX ± 0.25	

DRAWN	DATE
	20151113
CHECK	DATE
	20151113
APPROVE	DATE
	20151113

DWG. NO.	TITLE
	2.0Pin Header Straight Dip Type
PART. NO.	
CNT-M200-4XX-GS-A/H/B	