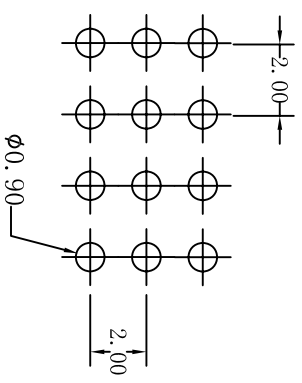
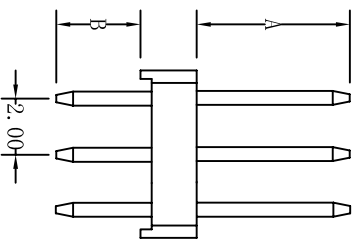
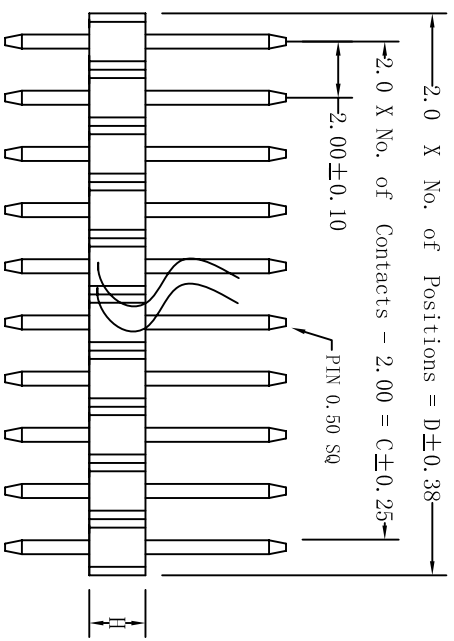
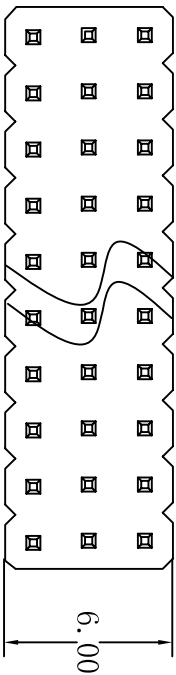


REV	DESCRIPTION	DATE



Recommended P. C. Board  
Hole Layout

**SPECIFICATIONS**  
 Current Rating: 2.0 Amps  
 Insulator resistance: 1000 Megohms Min.  
 Dielectric withstanding: AC 500 V  
 Operating Temperature: -40° C - +105° C

**MATERIALS**  
 Contact Material: Brass  
 Insulator Material: NYLON 6T  
 Finish: Gold Plated

A	4.0	E
B	2.8	F
H	2.0	W

**CNT** 肯耐特电子有限公司

REV.	UNIT	SCALE	GENERAL	TOLERANCE
A	mm	1:1	X.° ±5°	.X° ±
			X. ±5°	.X ±0.38
			XX. ±5°	.XX ±0.38
			XXX. ±5°	.XXX ±0.38

DRAWN	DATE	DWG. NO.
CHECK	20141121	
APPROVE	20141121	PART. NO.
	20141121	CNT-M200-3XX-GS-4/2.8

TITLE
PH2.0 Pin Header Triple Row Straight