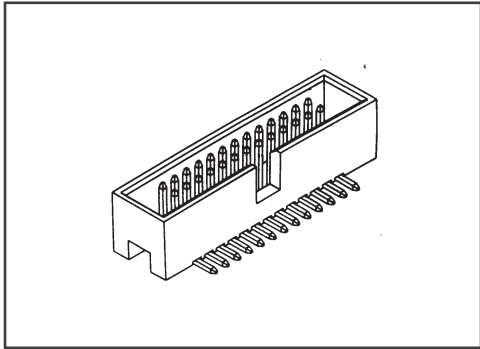




Pitch:2.00mm (0.079")

Dual Row Box Header S.M.T Type

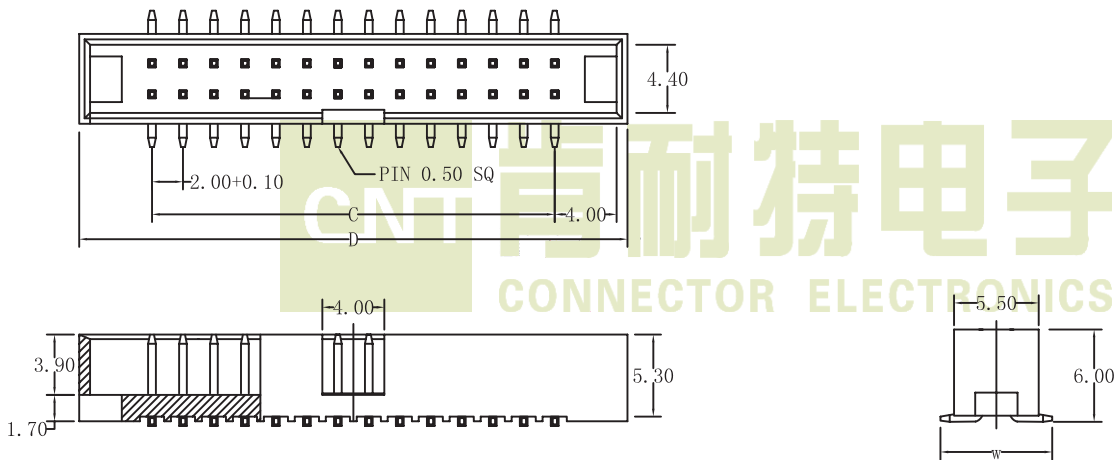


SPECIFICATIONS

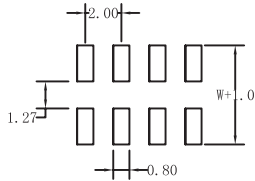
Current Rating:2.0 Amps
 Insulator resistance:1000 Megohms Min.
 Dielectric withstanding:AC 500 V
 Contact Resistance:20 Megohms Max
 Operating Temperature:-40° C - +105° C

MATERIALS

Contact Material:Brass
 Insulator Material: NYLON-6T UL94V-0
 Finish:Gold/Tin Plated



Recommended P. C. Board Hole Layout



No. of Pins Per Row	05~25
Dimension	
C	2.00*No. of Contacts±0.25
D	2.00*No. of Contacts+7.1±0.38

Ordering Information

B 200 **2** * **XX** **G** **M** **W**
 B: Pitch: 2: No. of pins G: M: W:
 Box 2.00mm Dual Row per Row GoldPlated S. M. T Custom Length Available
 T: Tin Plated