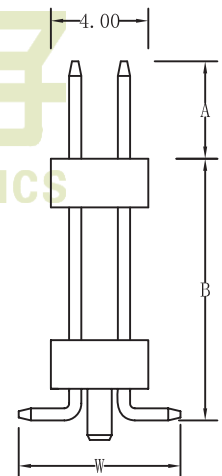
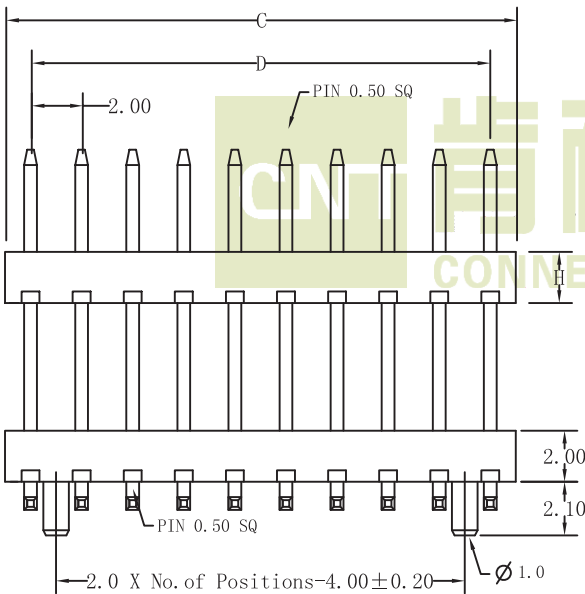
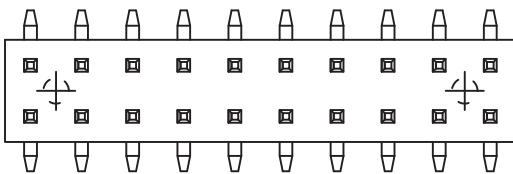
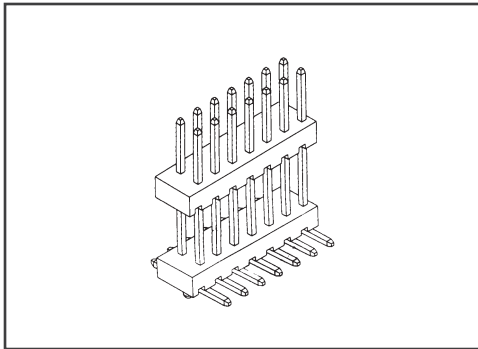
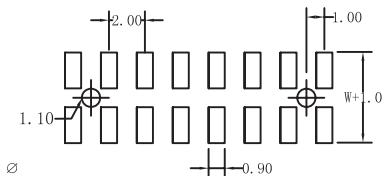


# Pitch:2.00mm (0.079)

## Dual Row Pin Header S.M.T Type With Post



Recommended P. C. Board Hole Layout



### SPECIFICATIONS

- Current Rating: 2.0 Amps
- Insulator resistance: 1000 Megohms Min.
- Dielectric withstanding: AC 500 V
- Contact Resistance: 20 Megohms Max
- Operating Temperature: -40° C - +105° C

### MATERIALS

- Contact Material: Brass
- Insulator Material: NYLON-6T UL94V-0
- Finish: Gold/Tin Plated

No. of Pins Per Row		02~25
Dimension		
C	2.00*No. of Contacts	±0.38
D	2.00*No. of Contacts-2.0	±0.25

### Ordering Information

**M** 200 2 \* XX **G** **M** **A/B/W** **P**  
 M: Pitch: 2: No. of pins per Row G: GoldPlated M: S.M.T A/B/W: Custom Length Available P: Post  
 Male 2.00mm Dual Row T: Tin Plated