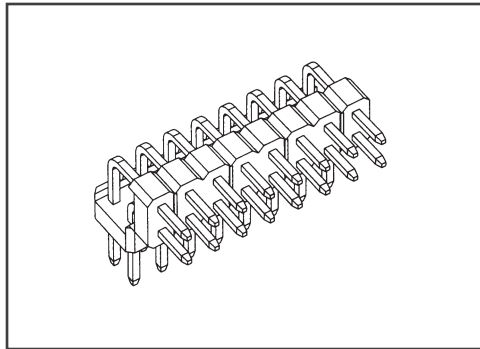


Pitch:2.00mm (0.079")

Dual Row Pin Header Right Angle Dip Type

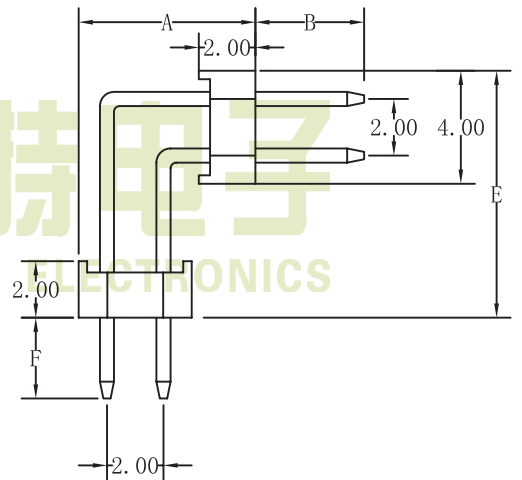
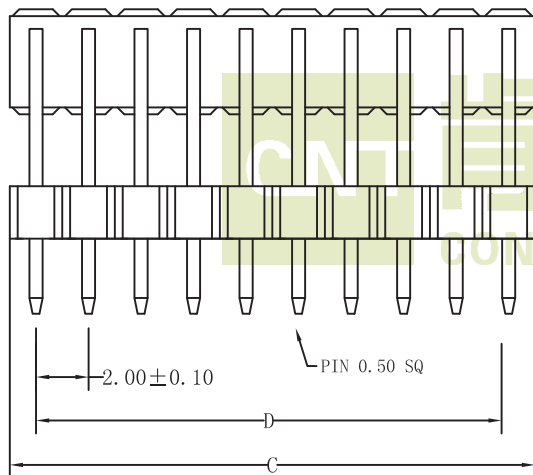


SPECIFICATIONS

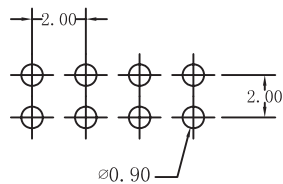
Current Rating:2.0 Amps
 Insulator resistance:1000 Megohms Min.
 Dielectric withstanding:AC 500 V
 Contact Resistance:20 Megohms Max
 Operating Temperature:-40° C - +105° C

MATERIALS

Contact Material:Brass
 Insulator Material:P. B. T
 Finish:Gold/Tin Plated



Recommended P. C. Board Hole Layout



No. of Pins Per Row		02~40
Dimension		
C	2.00*No.of Contacts	±0.38
D	2.00*No.of Contacts-2.0	±0.25

Ordering Information

M 200 2 * XX G D A/B/E/F
 M: Pitch: 2: No. of pins per Row G: GoldPlated D: Right Angle A/B/E/F: Custom Length Available
 Male 2.00mm Dual Row T: Tin Plated