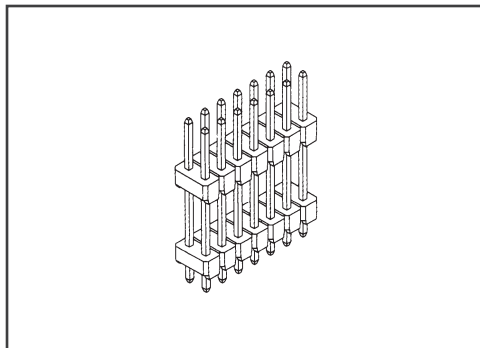


Pitch:2.00mm (0.079") Dual Row Pin Header Dip Type

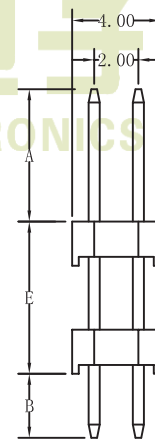
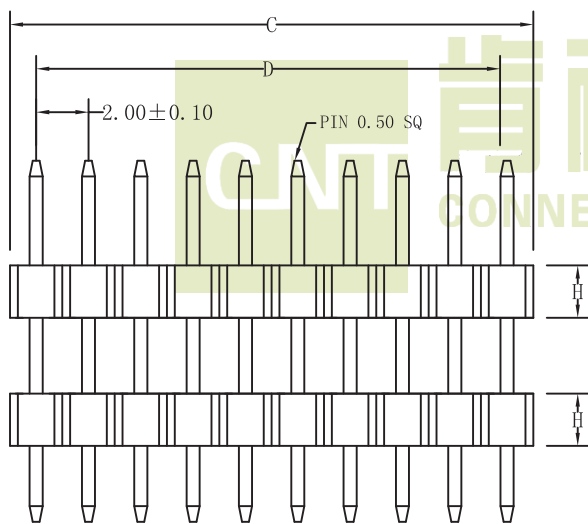


SPECIFICATIONS

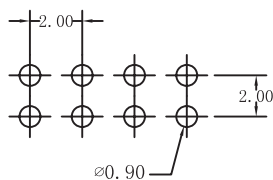
Current Rating:2.0 Amps
 Insulator resistance:1000 Megohms Min.
 Dielectric withstanding:AC 500 V
 Contact Resistance:20 Megohms Max
 Operating Temperature:-40° C - +105° C

MATERIALS

Contact Material:Brass
 Insulator Material:NYLON-6T UL94V-0
 Finish:Gold/Tin Plated



Recommended P. C. Board
Hole Layout



No. of Pins Per Row		02~40
Dimension		
C	2.00*No.of Contacts	±0.38
D	2.00*No.of Contacts-2.0	±0.25

Ordering Information

M **200** **2** * **XX** **G** **S** **A/E/B**
 M: Pitch: 2: No. of pins per Row G: GoldPlated S: Straight Custom Length Available
 Male 2.00mm Dual Row T: Tin Plated