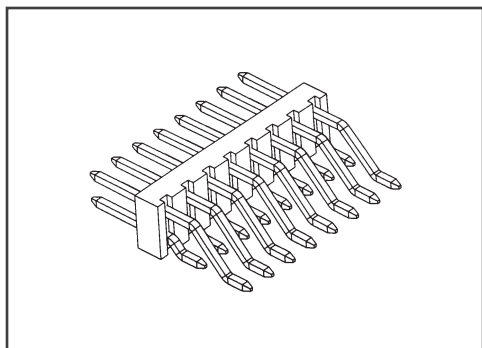


Pitch:2.00mm (0.079")

Dual Row Pin Header Right Angle S.M.T Type

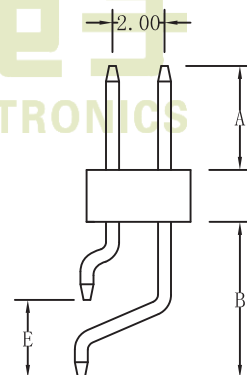
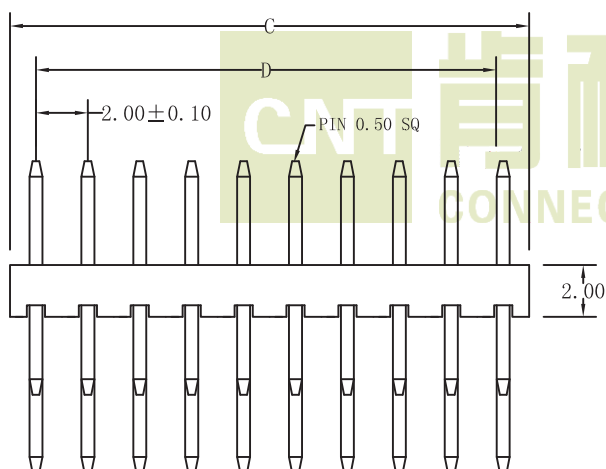
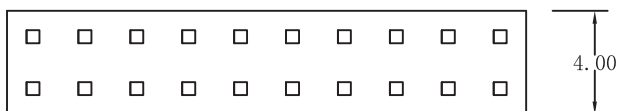


SPECIFICATIONS

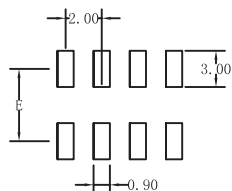
Current Rating:2.0 Amps
 Insulator resistance:1000 Megohms Min.
 Dielectric withstanding:AC 500 V
 Contact Resistance:20 Megohms Max
 Operating Temperature:-40° C - +105° C

MATERIALS

Contact Material:Brass
 Insulator Material: NYLON-6T UL94V-0
 Finish:Gold/Tin Plated



Recommended P. C. Board Hole Layout



No. of Pins Per Row		03~25
Dimension		
D	2.00*No.of Contacts-2.00	±0.25
C	2.00*No.of Contacts	±0.38

Ordering Information

M 200 2 * XX G DM A/B/E
 M: Pitch: 2: No. of pins per Row
 Male 2.00mm Dual Row
 G: GoldPlated
 T: Tin Plated
 DM: Right ANGLE
 M: S.M.T
 A/B/E: Custom Length Available