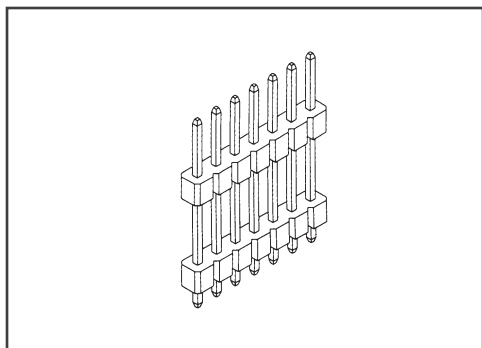


# Pitch:2.00mm (0.079")

## Single Row Pin Header Straight Dip Type

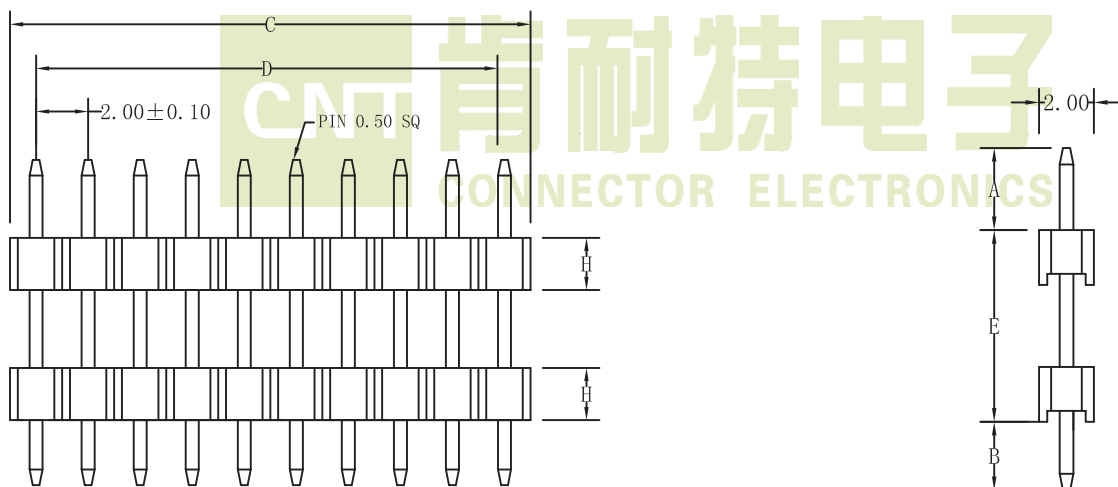


### SPECIFICATIONS

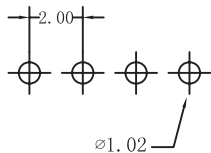
Current Rating:2.0 Amps  
 Insulator resistance:1000 Megohms Min.  
 Dielectric withstanding:AC 500 V  
 Contact Resistance:20 Megohms Max  
 Operating Temperature:-40° C - +105° C

### MATERIALS

Contact Material:Brass  
 Insulator Material:P.B.T  
 Finish:Gold/Tin Plated



Recommended P. C. Board Hole Layout



No. of Pins Per Row		02~40
Dimension		
D	2.00*No.of Contacts-2.00	±0.25
C	2.00*No.of Contacts	±0.38

### Ordering Information

**M 200 1 \* XX G S A/E/B**  
 M: Pitch: 1: No. of pins per Row G: GoldPlated S: Straight A/E/B: Custom Length Available  
 Male 2.00mm Single Row T: Tin Plated