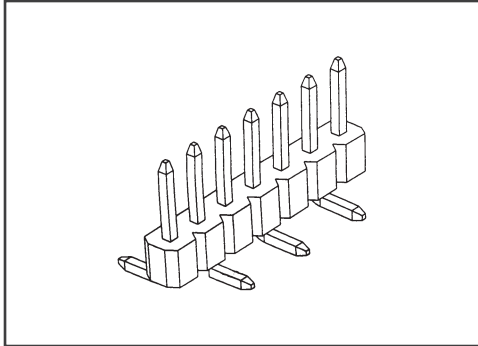


Pitch:2.00mm (0.079")

Single Row Pin Header S.M.T Type

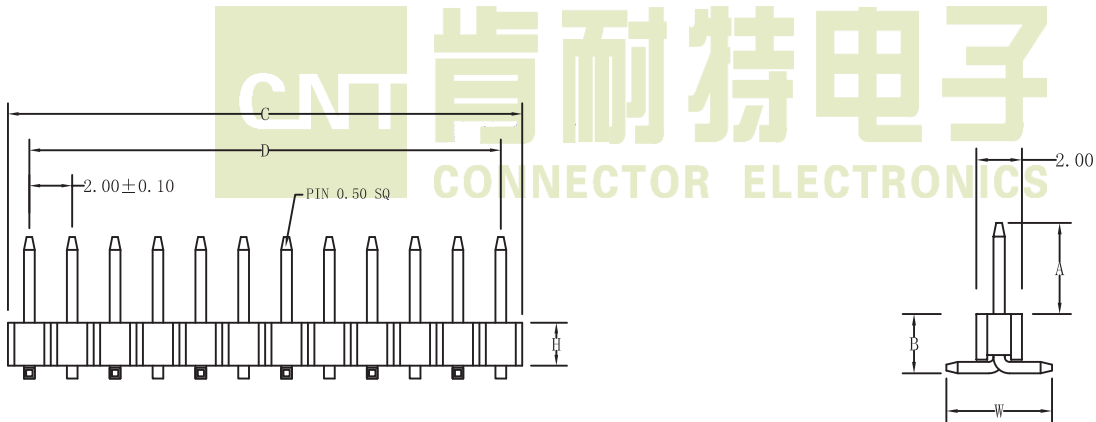
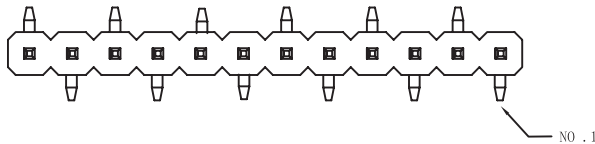


SPECIFICATIONS

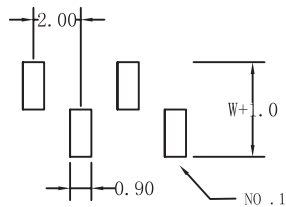
Current Rating:2.0 Amps
 Insulator resistance:1000 Megohms Min.
 Dielectric withstanding:AC 500 V
 Contact Resistance:20 Megohms Max
 Operating Temperature:-40° C - +105° C

MATERIALS

Contact Material:Brass
 Insulator Material:NYLON-6T UL94V-0
 Finish:Gold/Tin Plated



Recommended P. C. Board Hole Layout



No. of Pins Per Row		02~40
Dimension		
C	2.0*No. of Contacts	±0.38
D	2.0*No. of Contacts-2.0	±0.25

Ordering Information

M 200 1 * XX G DM 2 A/W/B H
 M: Pitch: 1: Single Row No. of pins per Row G: GoldPlated DM: Right angle /SMT Type2 A/W/B: Custom Length Available H: 2.00MM 1.50MM
 Male 2.00mm