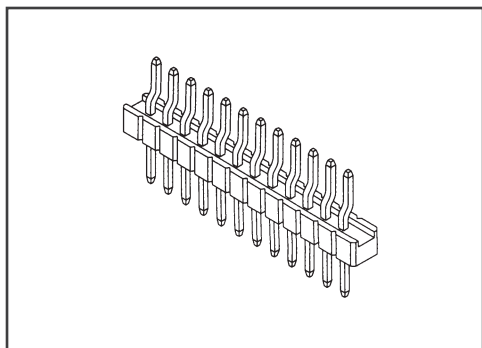


# Pitch:2.00mm (0.079")

## Single Row Pin Header Right Angle S.M.T Type

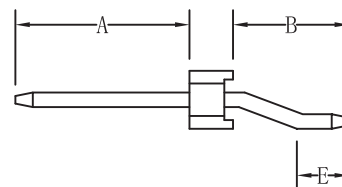
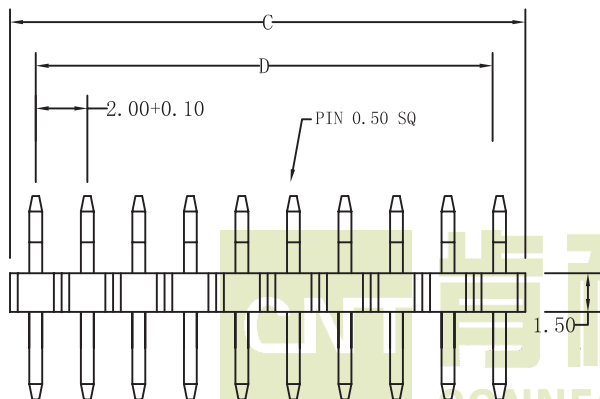


### SPECIFICATIONS

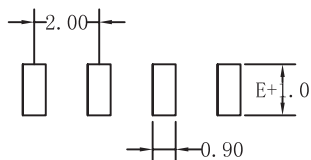
Current Rating:2.0 Amps  
 Insulator resistance:1000 Megohms Min.  
 Dielectric withstanding:AC 500 V  
 Contact Resistance:20 Megohms Max  
 Operating Temperature:-40° C - +105° C

### MATERIALS

Contact Material:Brass  
 Insulator Material:P. B. T  
 Finish:Gold/Tin Plated



### Recommended P. C. Board Hole Layout



No. of Pins Per Row		02~40
Dimension		
C	2.0*No. of Contacts	±0.38
D	2.0*No. of Contacts-2.0	±0.25

### Ordering Information

**M** **200** **1** **\*** **XX** **G** **DM** **A/B/E** **H**  
 M: Pitch: 1: \* No. of pins G: D:Right A/Custom B/Length E/Available H: 2.00MM  
 Male 2.00mm Single Row per Row GoldPlated angle /SMT Tin Plated