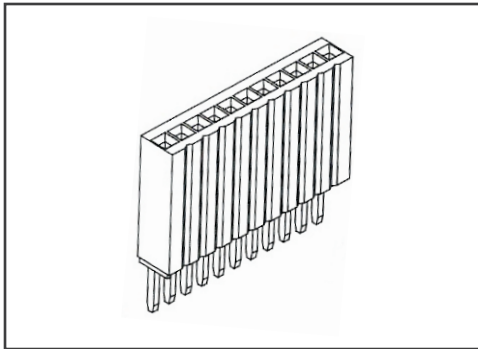


Pitch:1.27mm (0.05")

Single Row Female Header Dip Type

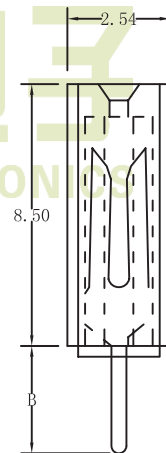
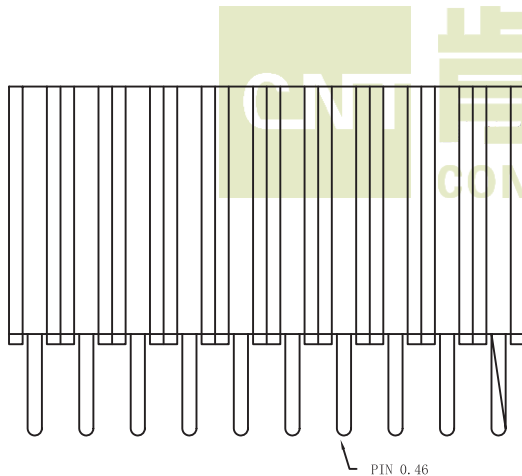
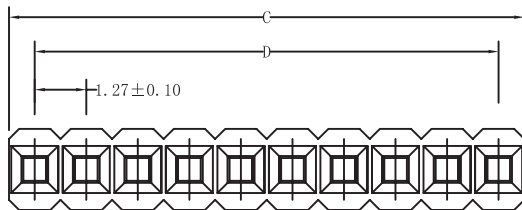


SPECIFICATIONS

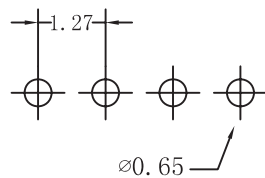
Current Rating:1.0 Amps
 Insulator resistance:1000 Megohms Min.
 Dielectric withstanding:AC 300 V
 Contact Resistance:20 Megohms Max
 Operating Temperature:-40° C - +105° C

MATERIALS

Contact Material:Copper Alloy
 Insulator Material:Polyester UL 94V-0Nylon-6T
 Finish:Gold/Tin Plated



Recommended P. C. Board Hole Layout



No. of Pins Per Row		02~35
Dimension		
D	1.27*No. of Contacts-1.27	±0.25
C	1.27*No. of Contacts	±0.38

Ordering Information

F Female Header **127** Pitch: 1.27mm **1** Single Row ***** **XX** No. of pins per Row **G** GoldPlated **S** S: Straight **850** Plastic Height : 8.5mm **B** 3.00mm Custom Length Available

T: Tin Plated