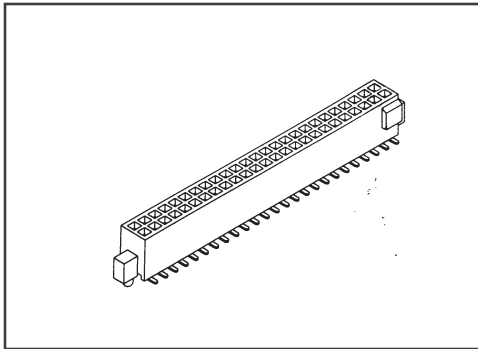


# Pitch:1.27mm (0.05")

## Dual Row Female Header S.M.T Type With Local Peg

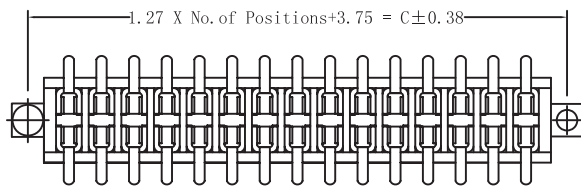
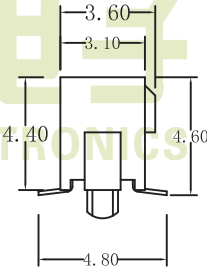
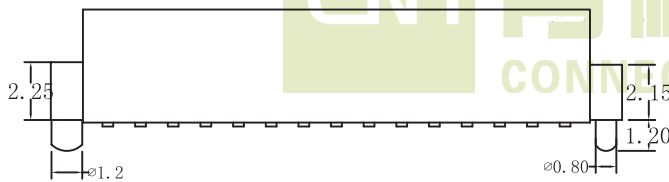
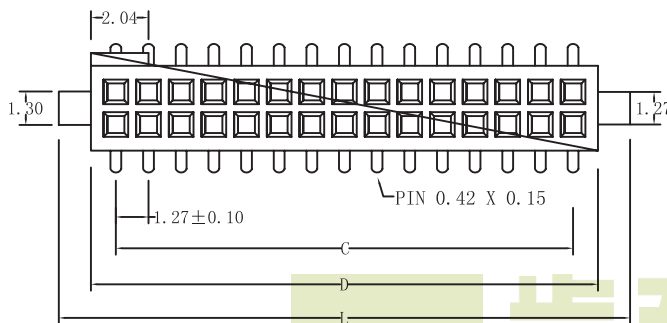


### SPECIFICATIONS

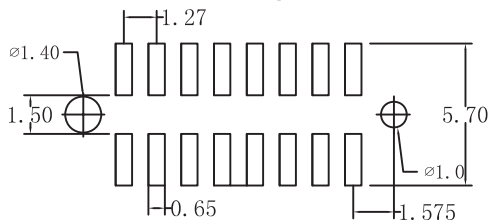
Current Rating:1.0 Amps  
 Insulator resistance:1000 Megohms Min.  
 Dielectric withstanding:AC 300 V  
 Contact Resistance:20 Megohms Max  
 Operating Temperature:-40° C - +105° C

### MATERIALS

Contact Material:Copper Alloy  
 Insulator Material:Polyester UL  
 94V-0 Nylon-6T  
 Finish:Gold/Tin Plated



Recommended P. C. Board Hole Layout



No. of Pins Per Row		04~50
Dimension		
C	1.27*No. of Contacts-1.27	±0.25
D	1.27*No. of Contacts+0.35	±0.38

### Ordering Information

**F** 127 2 \* XX G M 440 P  
 F: Female Header Pitch: 1.27mm 2: Double Row No. of pins per Row XX G: GoldPlated T: Tin Plated M: S M T Plastic Height : 4.4mm With Post