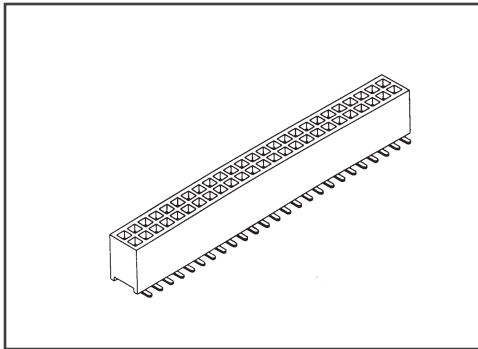


# Pitch:1.27mm (0.05")

## Dual Row Female Header S.M.T Type

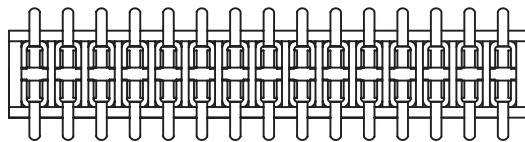
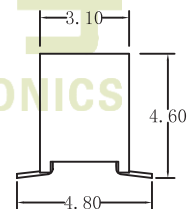
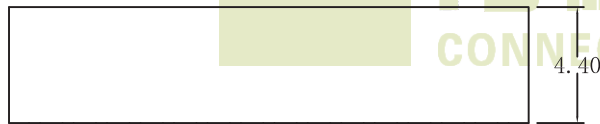
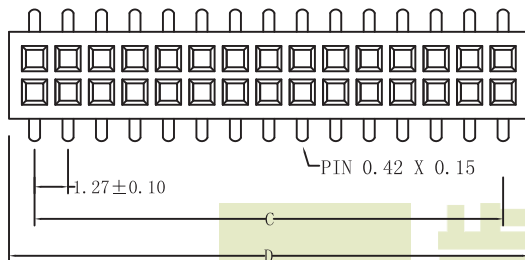


### SPECIFICATIONS

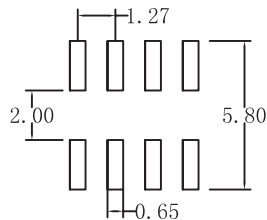
Current Rating:1.0 Amps  
 Insulator resistance:1000 MegohmsMin.  
 Dielectric withstanding:AC 300 V  
 Contact Resistance:20 Megohms Max  
 Operating Temperature:-40° C - +105° C

### MATERIALS

Contact Material:Copper Alloy  
 Insulator Material:Polyester UL  
 94V-0 Nylon-6T  
 Finish:Gold/Tin Plated



Recommended P. C. Board  
 Hole Layout



No. of Pins Per Row		02~50
Dimension		
C	1.27*No. of Contacts-1.27	±0.20
D	1.27*No. of Contacts+0.35	±0.35

### Ordering Information

**F** **127** **2** **\*** **XX** **G** **M** **440**  
 F: Female Header    Pitch: 1.27mm    2: Double Row    No. of pins per Row    G: GoldPlated    M: S M T    Plastic Height : 4.4mm  
 T: Tin Plated