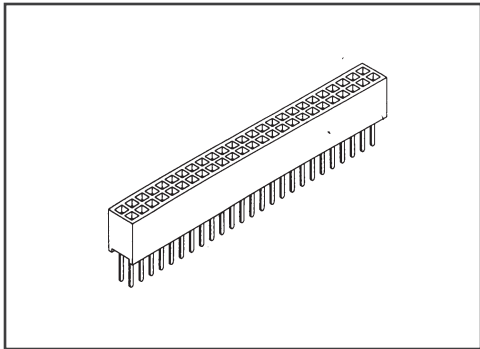


Pitch:1.27mm (0.05")

Dual Row Female Header Dip Type

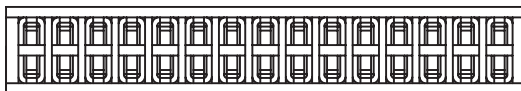
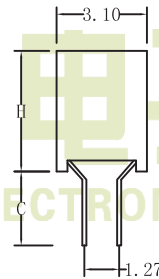
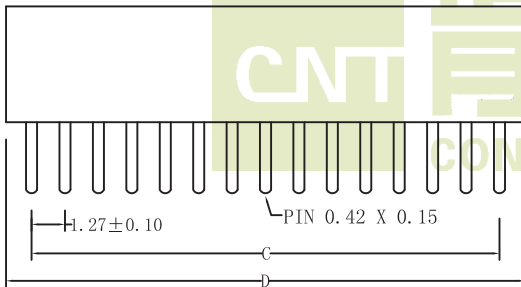
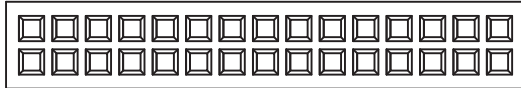


SPECIFICATIONS

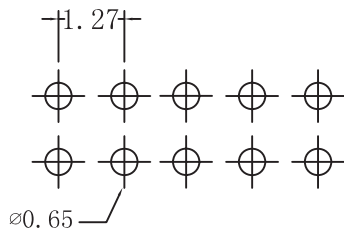
Current Rating:1.0 Amps
 Insulator resistance:1000 MegohmsMin.
 Dielectric withstanding:AC 300 V
 Contact Resistance:20 Megohms Max
 Operating Temperature:-40° C - +105° C

MATERIALS

Contact Material:Copper Alloy
 Insulator Material:Polyester UL
 94V-0 Nylon-6T
 Finish:Gold/Tin Plated



Recommended P. C. Board Hole Layout



No. of Pins Per Row		03~50
Dimension		
C	1.27*No. of Contacts-1.27	±0.20
D	1.27*No. of Contacts+0.35	±0.35

Ordering Information

F Female Header
127 Pitch: 1.27mm
2 Double Row

XX No. of pins per Row
G GoldPlated
T Tin Plated
S S: Straight
H 3.4mm / 4.3mm