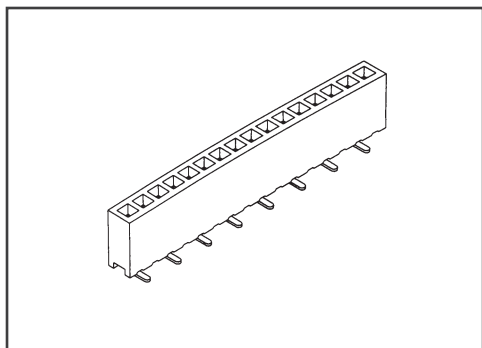


# Pitch:1.27mm (0.05")

## Single Row Female Header S.M.T Type

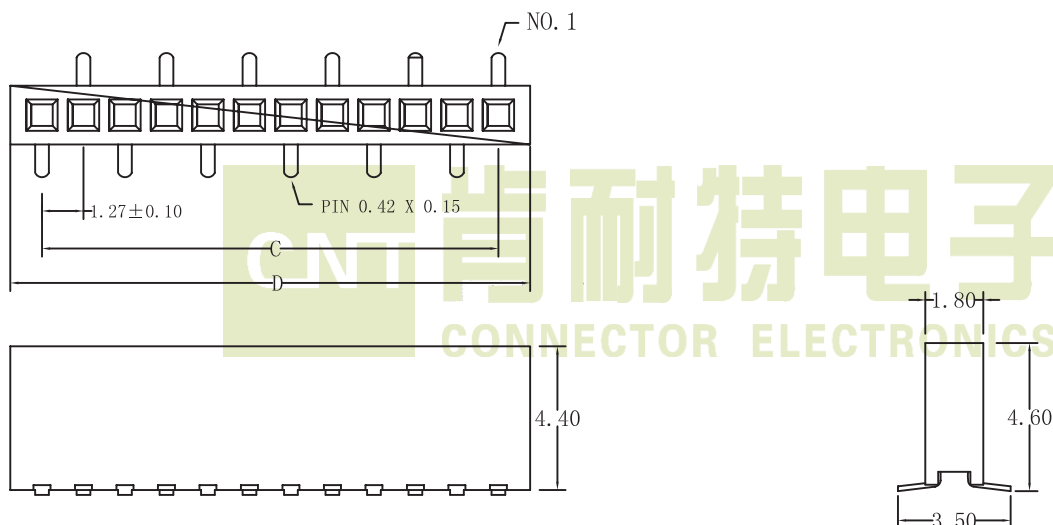


### SPECIFICATIONS

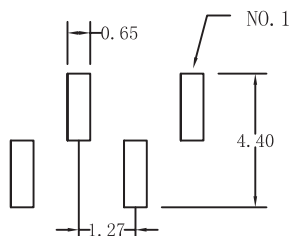
Current Rating:1.0 Amps  
 Insulator resistance:1000 Megohms Min.  
 Dielectric withstanding:AC 300 V  
 Contact Resistance:20 Megohms Max  
 Operating Temperature:-40° C - +105° C

### MATERIALS

Contact Material:Copper Alloy  
 Insulator Material:Polyester UL 94V-0  
 Nylon-6T  
 Finish:Gold/Tin Plated



### Recommended P. C. Board Hole Layout



No. of Pins Per Row		04~80
Dimension		
C	$1.27 * \text{No. of Contacts} - 1.27$	$\pm 0.25$
D	$1.27 * \text{No. of Contacts} + 0.35$	$\pm 0.38$

### Ordering Information

**F** 127 1 \* XX G M 1 440  
 F: Female Header    Pitch: 1.27mm    1: Single Row    \*: No. of pins per Row    G: GoldPlated    M: S M T    1: Type 1    440: Plastic Height : 4.4mm  
 T: Tin Plated