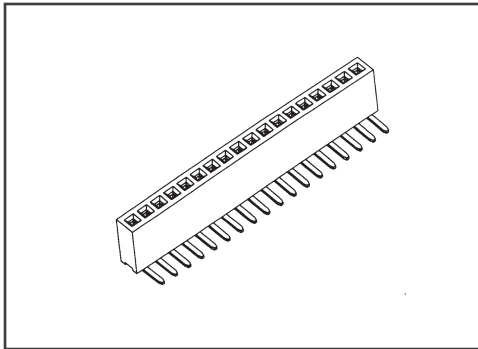


Pitch:1.27mm (0.05")

Single Row Female Header Right Angle Dip Type



SPECIFICATIONS

Current Rating:1.0 Amps

Insulator resistance:1000 MegohmsMin.

Dielectric withstanding:AC 300 V

Contact Resistance:20 Megohms Max

Operating Temperature:-40° C - +105° C

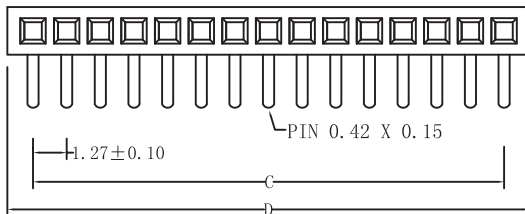
MATERIALS

Contact Material:Copper Alloy

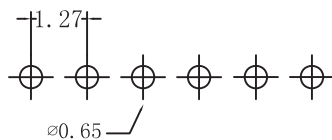
Insulator Material:Polyester UL

94V-0 Nylon-6T

Finish:Gold/Tin Plated



Recommended P. C. Board Hole Layout



No. of Pins Per Row		03~40
Dimension		
C	1.00*No.of Contacts-1.27	±0.25
D	1.00*No.of Contacts+0.35	±0.38

Ordering Information

F 127 1 * XX G D 440
 F: Female Header Pitch: 1.27mm 1: Single Row * No. of pins per Row G: GoldPlated D: Right angle Plastic Height : 4.4mm
 T: Tin Plated