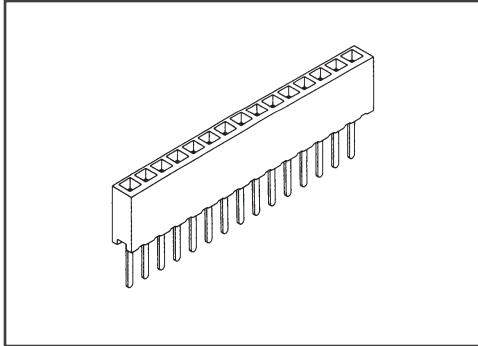


# Pitch:1.27mm (0.05")

## Single Row Female Header Straight Dip Type

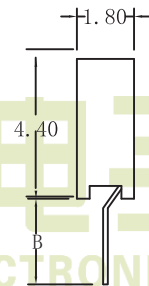
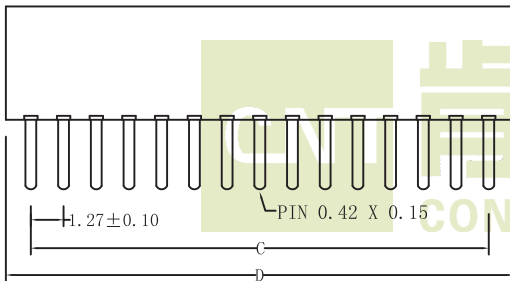


### SPECIFICATIONS

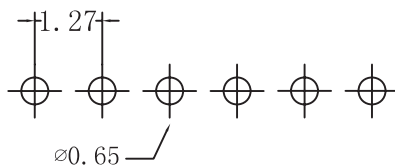
Current Rating:1.0 Amps  
 Insulator resistance:1000 Megohms Min.  
 Dielectric withstanding:AC 300 V  
 Contact Resistance:20 Megohms Max  
 Operating Temperature:-40° C - +105° C

### MATERIALS

Contact Material:Copper Alloy  
 Insulator Material:Polyester UL 94V-0  
 Nylon-6T  
 Finish:Gold/Tin Plated



### Recommended P. C. Board Hole Layout



No. of Pins Per Row		03~40
Dimension		
C	1.00*No.of Contacts-1.27	±0.25
D	1.00*No.of Contacts+0.35	±0.38

### Ordering Information

**F** 127 1 \* XX **G** **S** 440 **B**  
 F: Female Header    Pitch: 1.27mm    1: Single Row    \*: No. of pins per Row    G: GoldPlated    S: Straight    Plastic Height : 4.4mm    B: Plastic Height : 2.30mm  
 T: Tin Plated