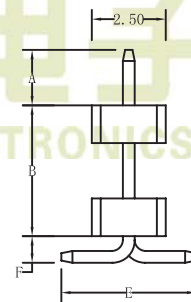
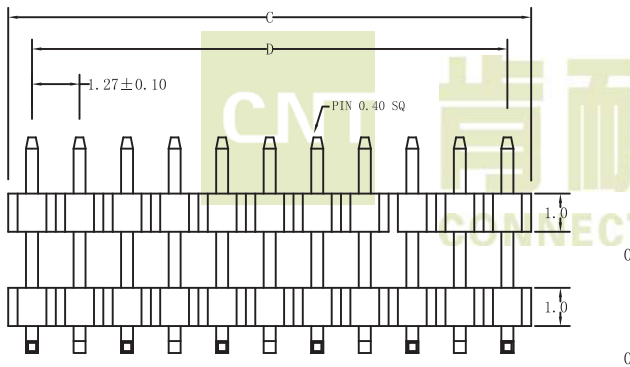
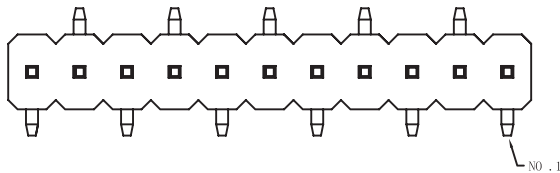
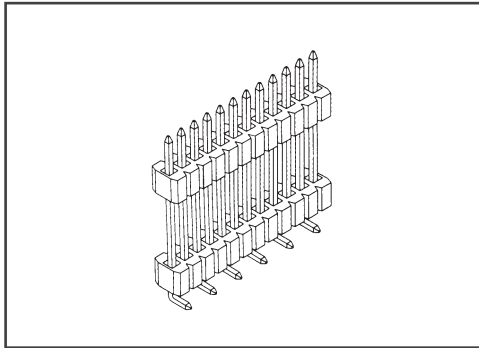


# Pitch:1.27mm (0.05")

## Single Row Pin Header S.M.T Type



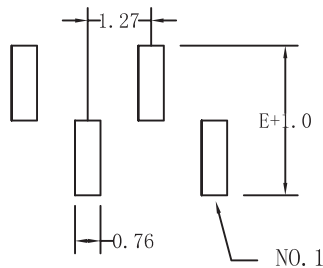
### SPECIFICATIONS

Current Rating:1.0 Amps  
 Insulator resistance:1000 Megohms Min.  
 Dielectric withstanding:AC 300 V  
 Contact Resistance:20 Megohms Max  
 Operating Temperature:-40° C - +105° C

### MATERIALS

Contact Material:Copper Alloy  
 Insulator Material:Polyester UL 94V-0  
 Nylon-6T  
 Finish:Gold/Tin Plated

### Recommended P. C. Board Hole Layout



No. of Pins Per Row		03~33
Dimension		
C	1.27*No. of Contacts	±0.38
D	1.27*No. of Contacts-1.27	±0.25

### Ordering Information

**M 127 1 \* XX G M 2 A/B/E/F**  
 M: Pitch: 1: No. of pins per Row G: GoldPlated M: S M T 2 Type 2 A/B/E/F Custom Length Available  
 Male 1.27mm Single Row T: Tin Plated