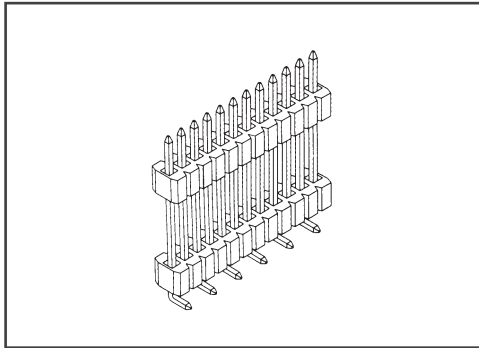


Pitch:1.27mm (0.05")

Single Row Pin Header S.M.T Type

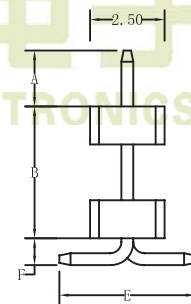
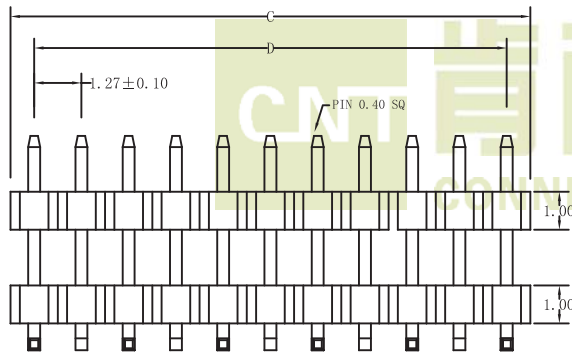
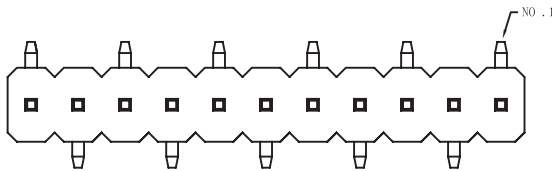


SPECIFICATIONS

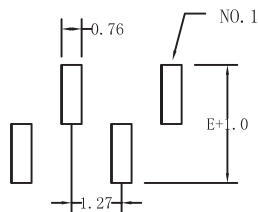
Current Rating:1.0 Amps
 Insulator resistance:1000 Megohms Min.
 Dielectric withstanding:AC 300 V
 Contact Resistance:20 Megohms Max
 Operating Temperature:-40° C - +105° C

MATERIALS

Contact Material:Copper Alloy
 Insulator Material:Polyester UL 94V-0
 Nylon-6T
 Finish:Gold/Tin Plated



Recommended P. C. Board Hole Layout



No. of Pins Per Row		03~33
Dimension		
C	1.27*No. of Contacts	±0.38
D	1.27*No. of Contacts-1.27	±0.25

Ordering Information

M 127 1 * XX G M 1 A/B/E/F
 M: Pitch: 1: No. of pins per Row G: GoldPlated M: S M T Type 1 Custom Length Available
 Male 1.27mm Single Row T: Tin Plated