

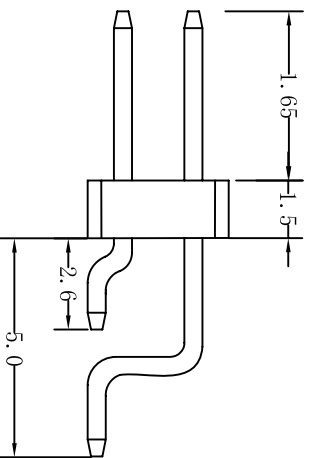
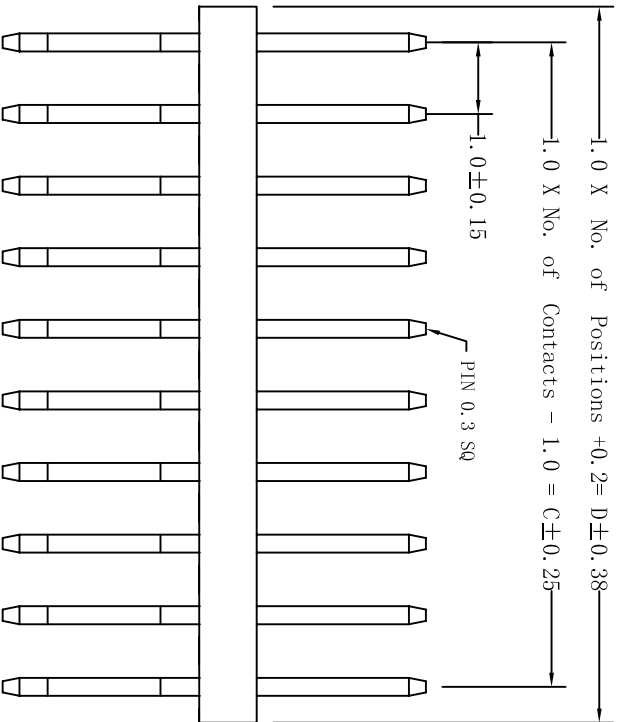
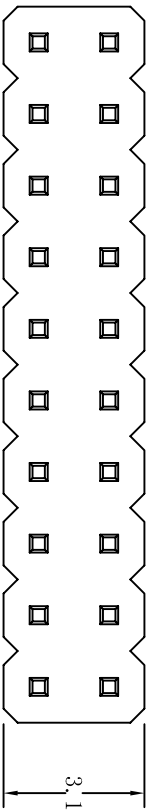
REV	DESCRIPTION	DATE

### SPECIFICATIONS

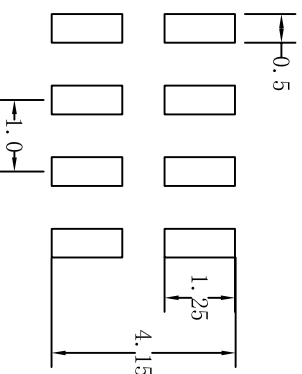
Current Rating: 1.0 Amps  
 Insulator resistance: 1000 Megohms Min.  
 Dielectric withstanding: AC 300 V  
 Contact Resistance: 20mΩ Max  
 Operating Temperature: -40° C – +105° C

### MATERIALS

Contact Material: Brass  
 Insulator Material: LCP  
 Finish: Gold / Tin Plated over nickel



### Recommended P. C. Board Hole Layout



A	E
B	F
H	W

**CNT** 肯耐特电子有限公司

REV.	UNIT	SCALE	GENERAL TOLERANCE	DRAWN	DATE	DWG. NO.	TITLE
1.0	mm	1:1	X.° ±5° X. ±5° XX. ±5° XXX. ±5°	Ares	201111216	CNT-M100-2*xx-GDM-1.65/2.6/5	1.0mm Pin Header Dual Row Right Angle SMT
			X.° ± X. ±0.38 .XX ±0.25 .XXX ±0.15	CHECK	DATE	PART. NO.	
				APPROVE	DATE		